

Variable Frequency Drive VersiDrive i Pro/3Pro/IP66 [0,75 – 7,5kW] 4.15

**Features:**

- U/f-characteristics control
- open loop vector control (200% start torque)
- closed loop encoder control (plug-in)
- open und closed loop control for synchronous motors
- PTC-input
- max. rotating field frequency 500Hz
- safety stop according to IEC 61508 SIL2
- integrated braking chopper
- degree of protection IP66
- integrated mains filter
- integrated Modbus RTU module and CANbus



Variable Frequency Drive  
VD i Pro/IP66 [0,75 – 2,2kW]  
VD i 3Pro/IP66 [0,75 – 7,5kW]



**Function:**

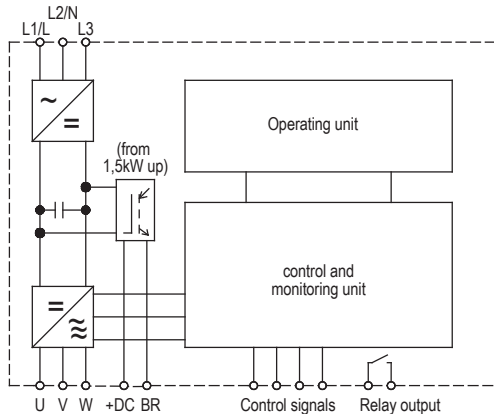
- control and setpoint entry via terminals, operating units and bus systems
- PWM clock frequency 4 - 32kHz
- sensorless speed and torque control
- potential-free control and signalling contacts
- 150% overload for 60s
- integrated PI controller
- detailed trouble check via parameter Po-13
- PLC function

**Typical Application:**

electric pumps, heat pumps, vacuum pumps  
ventilators and fans, cranes, travelling cranes  
extraction systems, compressors, stirrers, centrifuges,  
saws, conveyors, elevators and hoists  
woodworking machines, grinding machines  
textile machines, packaging machines  
printing machines, drives with high load  
others

**Options: (please see accessories)**

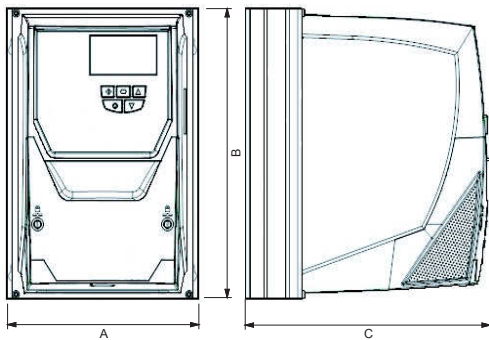
- remote control module
- input and output module
- RJ45-cable and cable splitter
- encoder extension module
- communication- and bus-plug-ins
- bluetooth-memory stick
- braking resistors
- software for parameterization and operating
- license key for PLC
- available with switch



Typical designation	VD i ... /Pro/IP66			VD i ... /3Pro/IP66					
	075	150	220	075	150	220	400	550	750
motor shaft power / kW	0,75	1,5	2,2	0,75	1,5	2,2	4,0	5,5	7,5
mains voltage according to DIN EN 50160 (IEC 38)	single-phase 200-240V ±10% 48-62Hz			three-phase 380-480V ±10%, 48-62Hz					
output current / A	4,3	7	10,5	2,2	4,1	5,8	9,5	14	18
order number with switch (right, left, potentiometer, mains disconnection)	21107. 23075	21107. 23150	21107. 23220	21109. 40075	21109. 40150	21109. 40220	21109. 40004	21109. 40005	21109. 40007
order number without switch	21103. 23075	21103. 23150	21103. 23220	21105. 40075	21105. 40150	21105. 40220	21105. 40004	21105. 40005	21105. 40007

Technical data	VD i ... /Pro/IP66			VD i ... /3Pro/IP66					
	075	150	220	075	150	220	400	550	750
motor shaft power / kW	0,75	1,5	2,2	0,75	1,5	2,2	4,0	5,5	7,5
mains voltage according to DIN EN 50160 (IEC 38)	single-phase 200-240V ±10% 48-62Hz			three-phase 380-480V ±10%, 48-62Hz					
output current / A	4,3	7	10,5	2,2	4,1	5,8	9,5	14	18
peak current for 1min. / A	6,5	10,5	15,7	3,3	6,2	8,7	14,3	21	27
control functions									
frequency setting range	0 – 500Hz								
torque boost	boost (U/f) adjustable via parameter setting; open loop vector control								
ramp-up and ramp-down time	0 ... 3000s								
frequency setpoint	potentiometer, 0-10V, 4-20mA, keypad, fixed frequencies, motor potentiometer, Modbus RTU, CANbus								
ambient / storage temperature	-10 ... 50°C, -40 ... 60°C								
design size	2			2			3		
weight / kg	4,5			4,5			7,0		

Dimensions:

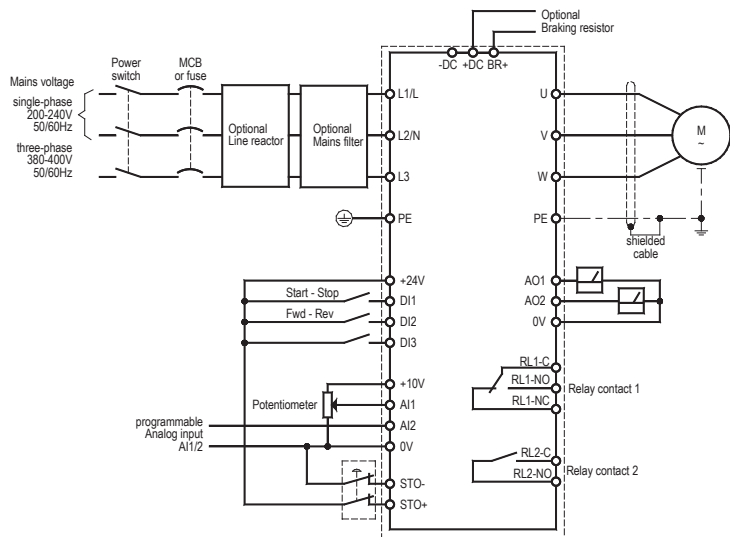


size	A	B	C
2	188	257	239
3	211	310	251

All dimensions indicated in mm

Connection Diagram:

without switch



with switch

