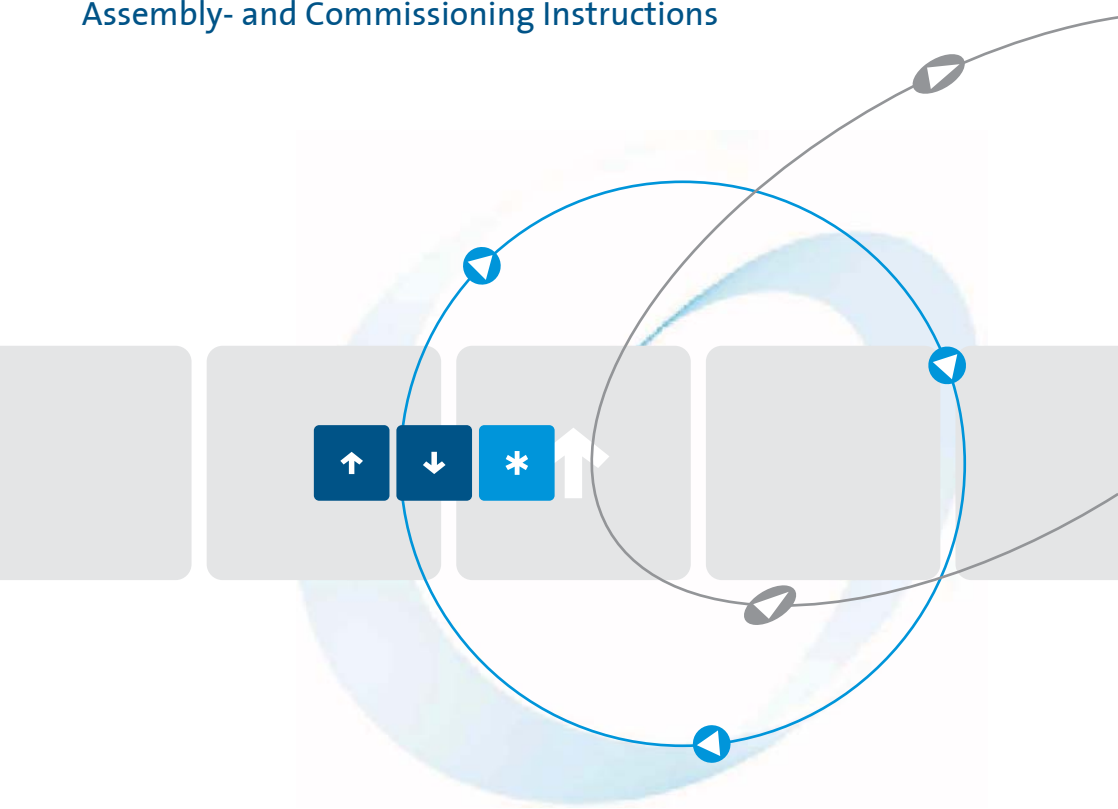


Softstarter
VS ... - 17...45
Assembly- and Commissioning Instructions



as per 03/20 15700.10005

| Table of Contents | Page |
|--|-------------|
| 1. Safety notes | 3 |
| 2. Conformity | 3 |
| 3. General description | 4 |
| 4. Usage to the intended purpose | 4 |
| 5. EC Declaration of Conformity | 5 |
| 6. Block diagram | 6 |
| 7. Commissioning | 7 |
| 7.1 Mounting instructions | 7 |
| 7.2 Connection | 10 |
| 7.3 Parameter settings | 11 |
| 8. LED indicators | 13 |
| 8.1 Option „M“ | 13 |
| 9. Fault | 13 |
| 9.1 Fault description | 14 |
| 9.2 Fault remedy | 14 |
| 9.3 Resetting of faults | 15 |
| 10. Technical data | 16 |
| 10.1 Environmental conditions | 17 |
| 11. Dimensioning rules | 17 |
| 11.1 Dimensioning of fuses for device protection | 17 |
| 11.2 Determining the permissible starting frequency | 19 |
| 12. Special units | 21 |
| 12.1 Devices with rated voltage of 230V or 480V | 21 |
| 12.2 Devices featuring a wide-voltage-range power section | 21 |
| 12.3 Devices featuring special voltage $\geq 500V$ | 22 |
| 12.4 Devices with motor-PTC input | 22 |
| 13. Installation guideline | 23 |
| 13.1 Connection | 23 |
| 13.1.1 Earthing 23 | |
| 13.1.2 Cabling 23 | |
| 13.2 General connection diagram | 24 |
| 13.3 Typical connections | 25 |
| 13.4 Motor/Soft start in delta connection (only units with option „M“) | 26 |
| 13.5 Wide-voltage-range connection | 27 |

- 13.5.1 Devices with control supply voltage 24VDC 27
- 13.5.2 Devices with control supply voltage 230VAC 27

| | |
|-------------------|----|
| 14. Dimensions | 28 |
| 15. Special units | 28 |

These commissioning instructions were prepared with great care. Nevertheless, PETER electronic GmbH & Co. KG does not assume liability for damage resulting from mistakes possibly contained in this manual. Technical changes that serve to improve the product are subject to change without notice.



Disposal Instructions

Equipment containing electrical components may not be disposed of together with domestic waste. It must be collected separately as electrical and electronic waste according to local and currently valid legislation.

Notes and symbols used in these instructions

Note: Notes explain the advantages of certain adjustments or settings and help you to make use of the device in the best possible way.



Warning notices: Read them carefully and follow them strictly!

Warning notices are indicated in order to protect you against danger or to help you to prevent the device from being damaged.



Caution: Danger to life through electric shock!

When you see this sign, always make sure that the device is de-energized and secured against unintentional energizing.

1. Safety notes



The described devices are electrical equipment for use in industrial electrical power installations. An impermissible removal of the covers during operation can cause serious damage to your health, since these devices contain live parts with high voltages.

Adjustment work may only be performed by trained staff observing the safety regulations. Assembly and mounting work may only be carried out with the equipment deenergized.

Make sure that all drive components are properly earthed.

Please read these commissioning instructions carefully before putting the device into operation.

Besides, the user must ensure that the devices and associated components are fitted and connected in accordance with the applicable local, legal and technical regulations. The VDE-regulations VDE 0100, VDE 0110 (EN 60664), VDE 0160 (EN 50178) , VDE 0113 (EN 60204, EN 61310), VDE 0660 (EN 50274) plus the appropriate regulations of the TÜV (Technical Control Association) and the trade associations apply in Germany.

The user must ensure that the drive turns into a safe operating state following a device failure, in the event of maloperation, or if the control unit has failed etc..

Caution: Even if the motor is at rest, it is **not** physically separated from the mains.

2. Conformity

In industrial linguistic usage the drive controllers of the type series VersiStart II are called "devices", however, in the sense of the "law on the safety of equipment", the "EMC-law" or the "EC-machinery directive" they are not devices or machines ready for use or connection but they are components. It is only possible to define their final function, when these components are integrated into the design and construction of the user.

To be able to use the devices to their intended purpose, it requires power supply networks according to DIN EN 50160 (IEC38).

The user takes the responsibility that the user's design and construction comply with the applicable legal provision.

The commissioning is strictly forbidden as long as the conformity of the final product with the guidelines 2006/42/EC (Machinery directive) and 2006/95/EC (Low voltage directive) is not proved.

3. General description

In the case of the soft starters of the VersiStart II type the motor voltage is changed in two phases (1L1/5L3) by a generalized phase control and power semiconductors. Starting from an adjustable starting trigger angle the trigger angle is continually reduced. Via the adjusted ramp-up time the motor voltage increases according to a ramp function until the maximum value is reached. When the acceleration time is over, the power semiconductors are bypassed by integrated relays and the motor is directly supplied with power from the mains.

After opening of the start/stop-contact, the trigger angle is continuously increased via a ramp-function, and, as a result, the motor voltage is decreased. The motor softly decelerates with the adjusted deceleration time.

Acceleration time, starting voltage and deceleration time can be separately adjusted via potentiometers.

Acceleration or deceleration are effected by closing or opening of the contact on the terminals X1/X2.

The boost function is switched on by bridging the terminals X1/X3. Thus, at the beginning of the soft start, an increased starting voltage is applied to the motor for a period of 0,5s.

The power supply to the control electronics is effected via the power section. On request, the power supply can also be implemented via an external power supply unit (24V min. 150mA DC).

The devices are suitable for an operation of 3-phase motors in star or delta connection. Interconnection of motors in a so-called $\sqrt{3}$ -connection is possible as well.

For $\sqrt{3}$ -connection, it is necessary to use a main contactor K1, since one motor winding lies directly between two phases.

4. Usage to the intended purpose

The devices of the VersiStart II-series are electrical equipment that is used in industrial electrical power installations. They are designed for application in machines, in order to reduce the starting torque and starting current peaks as well as the tripping torque of drives with three-phase induction motors.

Typical Applications:

- door and gate drives
 - pumps, ventilators, fans
 - conveying systems
 - packaging machines
 - transport systems, assembly lines
 - machine applications
-

5. EC Declaration of Conformity

EC Declaration of Conformity 

The manufacturer / company placing the product on the market
(authorized representatives of the manufacturer / companies placing the product on the market
that are established within the Community)

Name / Address: PETER electronic GmbH & Co.KG
Bruckäcker 9
92348 Berg

hereby declares that the following product (device, component, unit) in the version as supplied

Product designation: **Soft starters**
Series / type designation: VS II 230...690-17...45; B; M; UL; D; H
Article number: 257...
Year of manufacture: 2005

complies with the provisions of the following EU-directives:

- | | |
|-------------------|---|
| 2014/30/EU | Electromagnetic compatibility |
| 2014/35/EU | Electrical equipment designed for use within certain voltage limits |
| 2011/65/EU | The restriction of the use of certain hazardous substances in electrical and electronic equipment |

The following harmonized standards have been applied:

- | | |
|--------------------------------|--|
| EN 60947-1:2007+A1:2012 | Low-voltage switchgear and controlgear General rules |
| EN 60947-4-2:2012 | Low-voltage switchgear and controlgear Contactors and motor-starters - AC semiconductor motor controllers and starters |

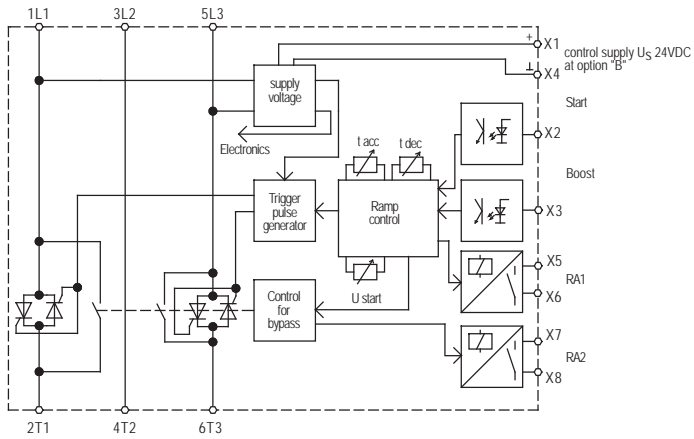
This EC Declaration of Conformity is no longer valid, if the product is modified or changed
without our agreement.

This declaration is issued under the sole responsibility of the signatory.

Berg, 19.04.2016 Dr. Thomas Stiller, Managing director
(place, date) (signatory and function of the signatory)


(signature)

6. Block diagram



7. Commissioning

The device is to be put into operation in 3 steps:

1. Mounting
2. Connection and
3. Parameter setting

**Note:**

Please notice the max. permissible starting current (see Table 10, "Technical data," on page 16).

7.1 Mounting instructions

**Caution: Danger to life through electric shock!**

The following conditions are to be complied with in order to ensure a safe and reliable operation of the VersiStart II.

1. The device series VersiStart II is to be used under conditions of the overvoltage category III.
2. Make sure that pollution degree 2 or better, in accordance DIN EN60644-1 / IEC664, is complied with.
3. The device has to be installed into a housing (min. degree of protection: IP54). Please take care of a sufficient heat dissipation.
4. The device must be operated without being exposed to contamination by water, oil, carbon deposits, dust, etc..
5. Insert in North America, UL and CSA-listed.
Applications for use in North America, UL- and CSA Listing.
Utilisation en Amérique du Nord, certifié UL et CSA.
- 5.1 Wiring diagram: see Table 13.2, "General connection diagram," on page 24
Schéma de câblage : voir Tableau 13.2, "Schéma de raccordement général", à la page 24
- 5.2 The terminal tightening torque of lbs-in (Nm): see Table 10, "Technical data," on page 16
Couple de serrage des bornes en lbs-in (Nm) : voir Tableau 10, "Caractéristiques techniques", à la page 16
- 5.3 To be used in a Pollution Degree 2 environment only.
À utiliser uniquement dans un environnement de degré de pollution 2.
- 5.4 'Suitable For Use On A Circuit Capable Of Delivering Not More Than 5kA rms Symmetrical Amperes, 600 Volts Maximum' and 'When Protected by A Circuit Breaker type NZMB2-AF60-NA, 600 Volts Maximum' or when protected by class RK5 fuse rated: see page 18

Peut être utilisé sur un circuit capable de fournir un courant RMS symétrique de 5 kA maximum, 600 volts maximum et si protégé par un disjoncteur de type NZMB2-AF60-NA 63 A, 600 volts maximum, ou protégé par un fusible de classe RK5 de : voir page 18 " Protection contre les courts-circuits homologuée UL 508 (fusible de classe RK5) "nach UL 508 (Class RK5 Fuse)"

5.5 Surrounding temperature max. 45°C

Température ambiante 45 °C max.

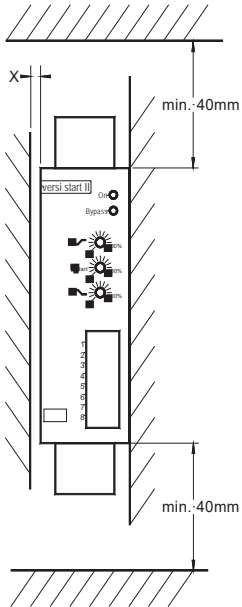
5.6 Use copper conductors 60/75°C, or 75°C only

Utiliser des conducteurs en cuivre avec une résistance thermique de 60/75 °C, ou 75 °C uniquement

5.7 Models with suffix BUc24VDC or BIUc24VDC - marking for external control voltage: Connect only to isolated power supply rated 24VDC. Fuse in accordance to UL248 rated max. 4A shall be installed between the source and input terminal of the unit, or equivalent wording.

Modèles avec suffixe BUc24VDC ou BIUc24VDC - signalant la tension de contrôle externe : connecté uniquement à une alimentation isolée de 24 VDC. Le fusible homologué UL248 de 4A max. doit être installé entre la source et la borne d'entrée de l'unité, ou équivalent.

Place the device vertically on a perpendicular mounting plate with the motor terminals pointing downwards. The device is to be snap-mounted onto a 35mm top-hat rail according to DIN EN 50022. Underneath the device, no additional heat sources such as heating resistors must be mounted or arranged.



Clearance X

Under normal drive conditions, the devices can be mounted side by side.

In the case of applications requiring high starting frequencies and / or high-inertia starting, the devices should be mounted with a distance of approx. 10mm in between them, in order to ensure good ventilation of the heat sink.



Warning:

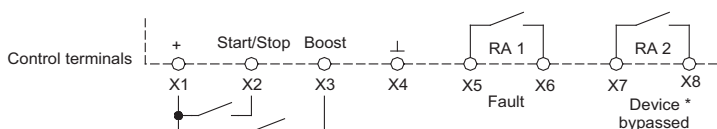
To avoid heat concentrations, a distance of at least 40mm is to be kept between cable duct and device.

7.2 Connection

Power section (see also connection diagram)

| | |
|--|------------------|
| Terminal 1L1: | Mains voltage L1 |
| Terminal 3L2: | Mains voltage L2 |
| Terminal 5L3: | Mains voltage L3 |
| Earth connection  | PE |
| Terminal 2T1: | Motor terminal U |
| Terminal 4T2: | Motor terminal V |
| Terminal 6T3: | Motor terminal W |

Control section



The input resistance of the control inputs is 10kOhm. To control them, it is necessary to use switching contacts enabling reliable switching of the lower control currents (e.g., AgNi+Au)!

If the contact on the terminals X1 a. X2 is closed, the motor accelerates with the adjusted acceleration time ramp. When the contact is open, the motor decelerates with the adjusted deceleration time ramp.



Caution: Danger to life through electric shock!

The motor is **not** physically separated from the mains.

Alternatively, the device can also be controlled with d.c. voltage.

If only soft starts are required, VersiStart II may also be controlled via the main contactor. For this purpose, the terminals X1 and X2 have to be bridged.

* In case of devices with ext. control supply voltage 230VAC the supply will connected here (see 13.5.2).

Adjusting the control type

Devices of the VersiStart II series may be controlled by two types of control.



1. Control with a switching contact or switching transistor between terminal X1 and X2.
2. Control by d.c. voltage 10 ... 24VDC between terminals X2 and X4.

Control supply voltage U_S only in the case of wide-voltage devices (option B)



Between the terminals X1 (+) and X4 (⊥) an auxiliary voltage of 24VDC $\pm 10\%$ /150mA is to be injected.

7.3 Parameter settings

On the front panel there are 3 potentiometers by means of which the following settings can be made.


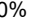
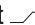



| Parameter | Poti | Setting range |
|-------------------|--|---|
| Acceleration time | t_{acc}  | Acceleration time adjustable from 0.5...10sec |
| Starting voltage | U_{Start} | 40...80% of rated voltage |
| Deceleration time | t_{dec}  | adjustable from 0.25...10sec |

Default setting of potentiometers:


- Potentiometer t_{acc}  (acceler. time) = mid-position
 Potentiometer U_{Start} (starting voltage) = left stop (counter-clockwise)
 Potentiometer t_{dec}  (deceler. time) = left stop (counter-clockwise)

Adjusting soft start

To adjust an optimum starting behavior, you should carry out a test run. Contrary to the default settings, you should make the following basic potentiometer-settings.

| | |
|---|--|
| Fans, roller tracks, conveyor belts, etc. | t_{acc}  50%, U_{Start} 0%, t_{dec}  0% |
| Centrifuges, conveyor screws, mixers, compressors, etc. | t_{acc}  50%, U_{Start} 50%, t_{dec}  50% |
| Pressure pumps, etc. | t_{acc}  50%, U_{Start} 50%, t_{dec}  50% |

Switch on the supply voltage and start acceleration. Watch the starting behavior and adapt the appropriate parameters to your drive. At any rate, the starting voltage should be adjusted with the potentiometer U_{Start} so that the motor starts immediately. At the same time, unnecessary humming with the motor being at rest is to be avoided.

The potentiometer t_{acc}  is to be adjusted so that the requested acceleration time or starting characteristics is achieved. The acceleration time should always be chosen as short as possible, in order to keep the thermal stress acting on device and motor as small as possible. This leads to short times until the bypass relays pull in and ensures good acceleration characteristics while the power semiconductors and motor are less heated. This is of special importance in the case of high-inertia starting or high switching frequencies. The acceleration time, however, has to be adjusted so that the motor reaches nominal speed before the internal bypass relays close.



Warning:

If the adjusted acceleration time is too short, the internal bypass relays close **before** the motor has reached nominal speed. This can cause damage to the bypass relays.

Adjusting soft stop

Note: Soft stop is only useful for pump drives or applications in the case of which the drive comes to a stop **immediately** after switch off. In the case of drives driving high-inertia loads, soft stop is not sensible.

Note: **To enable soft stop, the VersiStart II, during the deceleration phase, has to be supplied with power from the supply mains.**

In the case of these devices, the cut-off voltage is factory-set to 70%.

The potentiometer t_{\sim} is to be adjusted so that the requested deceleration time or deceleration characteristic is reached.



Caution: Danger to life through electric shock!

Even if the motor is at rest, it is **not** physically separated from the mains.



Warning!

Make sure that the specified switching frequency is not exceeded! After every start, it is necessary to give the power semiconductors sufficient time to cool down. If the time interval between starts is too short, there is the danger of destroying the power semiconductors!
Operation in bypassed condition also allows the power semiconductors to cool down!

Note: If, in the motor circuit, a motor contactor that closes with the starting contact is used, the deceleration time t_{\sim} is to be set to 0%.

8. LED indicators

On the device front panel there are 2 light-emitting diodes indicating the following operational states.

| LED | Operational status |
|---|--------------------------------------|
| Green | Device is connected to mains voltage |
| Yellow | Start completed, device bypassed |
| Yellow - flashing with increasing or decreasing frequency | Soft start / Soft stop |
| Yellow - flashing with constant frequency | Fault |

On the control terminals X5 / X6 (RA 1) and X7 / X8 (RA 2) two signaling relays are available which signal the following operational states:

RA 1 **Fault.**

Under normal operating conditions the signaling contact RA 1 is closed, it only opens if a fault occurs.

RA 2 **Device bypassed.**

When the start-up ramp is over and the motor is supplied with nominal voltage or the bypass relays are closed, the signaling contact RA 2 will be closed.

8.1 Option „M“

The signaling contact RA 2 will be closed when acceleration is started. After deceleration is finished the signaling contact will be opened again.

9. Fault

The device series VersiStart II monitors various fault conditions. If a fault is detected, the device signals the fault with the yellow LED (flashing at constant frequency). In the case of a fault, the signaling relay RA 1 is opened. The various fault conditions are indicated via different flashing frequencies of the yellow LED.

9.1 Fault description

| Fault | LED | Operational status |
|-------|--|---|
| 1 | Yellow LED flashing 1x with a short pause | Mains phase failure / undervoltage electronics supply |
| 2 | Yellow LED flashing 2x with a short pause | Heatsink temperature too high / device thermally overloaded (see also chapter 12.4 on page 22) or motor temperature too high (with motor PTC "Option T, I and M" connected) |
| 3 | Yellow LED flashing 3x with a short pause | Line zero crossing error -> Line or motor circuit faulty |
| 4 | Yellow LED flashing 4x with a short pause | Mains phase failure / Trigger failure in phase 1 |
| 5 | Yellow LED flashing 5x with a short pause | Mains phase failure / Trigger failure in phase 2 |
| 6 | Yellow LED flashing 6x with a short pause | Mains phase failure / Trigger failure in phase 3 |
| 7 | Yellow LED flashing 7x with a short pause | Ignition fault phase 1 |
| 8 | Yellow LED flashing 8x with a short pause | Ignition fault phase 3 |
| 9 | Yellow LED flashing 9x with a short pause | Electronics failure |
| 10 | Yellow LED flashing 10x with a short pause | Motor current less than 0.125 x nominal device current |

9.2 Fault remedy

In case of a fault, please proceed as follows:

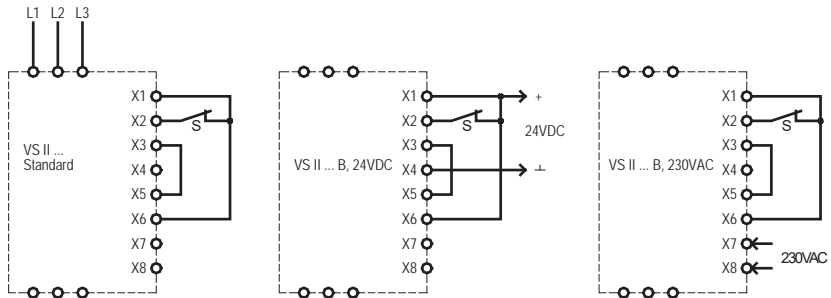
- Fault 1: There may be a grid phase failure. Check whether there is mains voltage at terminals L1, L2 and L3. Or a defect in the internal control electronics. Send the device to the manufacturer for repair.
- Fault 2: Check the frequency of starts and the starting current and also observe the max. ambient temperature. Give the device and/or the motor enough time between starts to cool down. The heat dissipation can be improved by forced cooling, e.g., by means of a fan mounted underneath the device or by using a motor with a separately driven fan.
- Fault 3-6: Power supply failed, motor cable interrupted, power semiconductor defective, motor defective. Check motor and wiring. Send device to manufacturer for inspection.
- Fault 7-8: Check motor wiring or defective thyristor module. Send the device to the manufacturer for repair.
- Fault 9: Send the device to the manufacturer for repair.
- Fault 10: Motor is too small or phase failure. Check whether the motor fits the device or the wiring.

9.3 Resetting of faults

There are two ways available to reset a device fault.

1. In as-delivered condition, the fault message can be reset by disconnecting and reconnecting the supply voltage. In the case of standard devices via L1, L2 and L3, and in devices with option "B" via 24VDC or 230VAC.
2. The device can be programmed such that a fault reset is possible through a restart (opening and closing of the start input). For this, it is necessary to proceed as follows.

First of all, the device has to be wired in compliance with the following connection diagrams. The switching contact must be closed.



Afterwards, the supply voltage is to be switched on. In the case of standard devices via L1, L2 and L3; and in devices with option "B" via 24VDC or 230VAC. After a short period of time, the yellow LED flashes with a different frequency, depending on the reset mode adjusted.

- | | |
|----------------------|---|
| Low flash frequency | -> Fault reset by switching the supply voltage on and off (standard setting). |
| High flash frequency | -> Fault reset through restart. |

The reset mode can be changed by opening and closing the start input; the yellow LED blinks with the corresponding flash frequency, and the new mode is permanently stored.

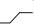
The supply voltage can be switched off again and the device can be installed in the application or the motor can be connected.



Warning:

At any rate, the cause of the fault has to be identified and remedied by trained and qualified personnel. Only then must the device be put into operation again.

10. Technical data

| Type designation, VersiStart | VS II 400-17 | VS II 400-25 | VS II 400-32 | VS II 400-45 |
|--|---|----------------------|---|-----------------------|
| Mains / motor voltage acc. to DIN EN 50160 (IEC 38) | 400V ±10% 50/60Hz | | | |
| Control supply voltage U_S only in the case of option „B“ | 24VDC ±10%/150mA | | | |
| max. Motor rating at 380/415V (rated power) | 7.5kW | 11kW | 15kW | 22kW |
| max. Motor rating at 380/415V (rated power) IE3 Motors | 5.5kW | 7.5kW | 11kW | 18.5kW |
| Rated device current (I_e) | 17A | 25A | 32A | 45A |
| max. Power dissipation - in operation - in standby | 29.5W 7.5W | 29.5W 7.5W | 29.5W 7.5W | 27W 7.5W |
| min. Motor load | 20% of the device rated current | | | |
| Acceleration time | 0.5 ... 10s | | | |
| Starting voltage | 40 ... 80% of rated voltage | | | |
| Deceleration time | 0.25 ... 10s | | | |
| Restart time | 200ms | | | |
| max. Switching frequency at $3x I_e$ and 5s  | 60/h | 40/h | 30/h | 10/h |
| Cross-sect. area for connection: Control terminals Power terminals | 1.5mm ² / AWG 16 6mm ² / AWG 10 | | 1.5mm ² / AWG16 16mm ² / AWG 6 | |
| Tightening torque | 1.2-1.5 Nm 11-13 lbs in | | 1.5-1.7 Nm 13-15 lbs in | |
| I ² t - Power semiconductors | 4000A ² s | 4000A ² s | 9100A ² s | 16200A ² s |
| Contact rating of output relays RA 1 / RA 2 | 3A/250V AC 3A/30V DC | | | |
| Input resistance Control inputs | 10kOhm | | | |
| Rated surge withstand capability: Main circuit Control and auxiliary circuit | 6kV 2,5kV | | | |
| Weight | 1kg | | | |
| Special voltages (optional) | 230V / 480V / wide-voltage range 400-600V with control supply voltage U_S 24VDC/150mA (Option „B“) | | | |

For special voltages please see our supplement.

10.1 Environmental conditions

| | |
|-------------------------------|--|
| Storage temperature | -25 ... 70°C |
| Ambient temperature | 0 ... 45°C up to an installation altitude of 1000m, not exposed to moisture condensation |
| Power reduction ¹⁾ | above 45°C - 2% per 1°C up to max. 60°C and altitudes above 1000m -2% per 100m |
| Degree of protection | IP 20 |
| Environment | Overvoltage categ. III (TT / TN-systems), pollution degree 2 |
| Installation class | 4 |

¹⁾ The reductions refer to rated power output.

Note: Please pay attention and consider for the operation of IE3 motors while dimensioning of softstarters the resulting higher starting currents. For the use of IE3 motors we highly recommend to dimension and design the needed softstarters one size higher.

11. Dimensioning rules

11.1 Dimensioning of fuses for device protection

Pre-fuses F can be dimensioned according to the following instructions.

Basically, two types of fuse protection are available for the user.

1. Fusing according to allocation type „1“, DIN EN 60947-4-2.
After a short circuit, the VersiStart II device is allowed to be inoperative and repair work is possible.
2. Fusing according to allocation type „2“, DIN EN 60947-4-2.
After a short circuit, the device must be suitable for further use. However, there is the danger that the contacts of the bypass or braking relays weld. Therefore, if possible, these contacts are to be checked prior to reconnecting these contacts to the mains supply. If this check cannot be carried out by the user, the device has to be returned to the producer in order to have it checked.

The following dimensioning information refers to the below operating conditions:

- Use of standard asynchronous motors
 - Standard acceleration and/or deceleration times
 - Switching frequencies not exceeding the values specified in the data sheet
-

Fusing according to coordination class "1"

Short circuit protection according to EN 60947-4-2

As pre-fuses, we recommend to use fuses of the utilization category gG .

If such fuses are also used to provide line protection, the conductor cross section is to be appropriately coordinated!

Fusing according to allocation type „2“:

The power semiconductors are to be protected by semiconductor protection fuses of the utilization class aR or gR . aR fuses do not guarantee line protection, additional line protection fuses (utilization category gG) must be used.

To protect the semiconductors it is necessary to select fuses featuring cutoff- I^2t -values which are approx. 10-15% below the threshold I^2t -value of the power semiconductor (see technical data). In this connection, the fuse rating of the selected fuse should not be smaller than the starting current to be expected.

| Rated device current (techn. data) | Device type | Fuse value in the case of allocation type 1 | Fuse type (recommendation) |
|------------------------------------|--------------|---|----------------------------|
| 17A | VS II 400-17 | 35A | 690V NH00gG |
| 25A | VS II 400-25 | 50A | 690V NH00gG |
| 32A | VS II 400-32 | 50A | 690V NH00gG |
| 45A | VS II 400-45 | 63A | 690V NH00gG |

Short circuit protection according to UL 508 (Class RK5 fuse)

| Rated device current (techn. data) | Device type | Fuse RK5 |
|------------------------------------|--------------|----------|
| 17A | VS II 400-17 | 25A |
| 25A | VS II 400-25 | 40A |
| 32A | VS II 400-32 | 50A |
| 45A | VS II 400-45 | 70A |

Note 1 PETER electronic does not prescribe the use of semiconductor protection fuses. However, for some UL- or CSA-listed devices there are exceptions which are indicated in the relevant commissioning instructions.

Note 2 On the basis of the I^2t -value of the power semiconductors, the starting time and possibly the max. starting current, the fuse supplier is able to select a suitable type. Due to the great variety of producers, sizes and types, PETER electronic does not recommend any particular fuses.

Note 3 If the value of the fuse or the cutoff- I^2t -value is selected too small, it may happen that the semiconductor fuse reacts during the starting phase or during deceleration.

11.2 Determining the permissible starting frequency

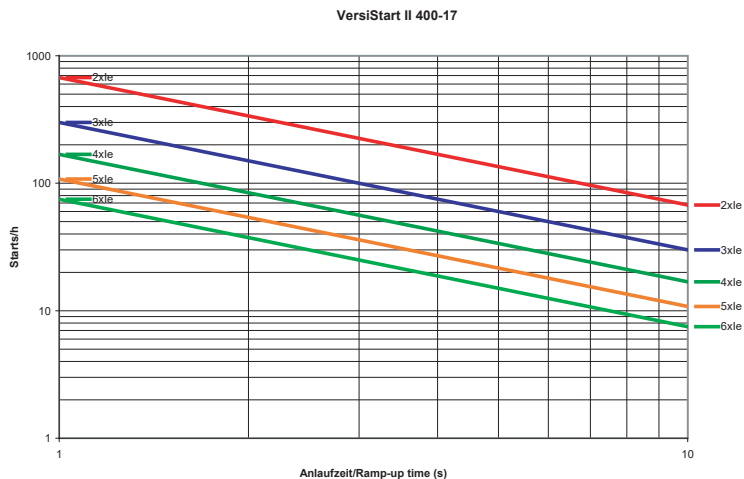
The starting frequency depends on the:

1. starting current or the heat loss across the power semiconductors.
2. current carrying capacity and the temperature increase of the power semiconductors.
3. heat sink's capability of absorbing the heat loss and passing the temperature increase on to the environment.

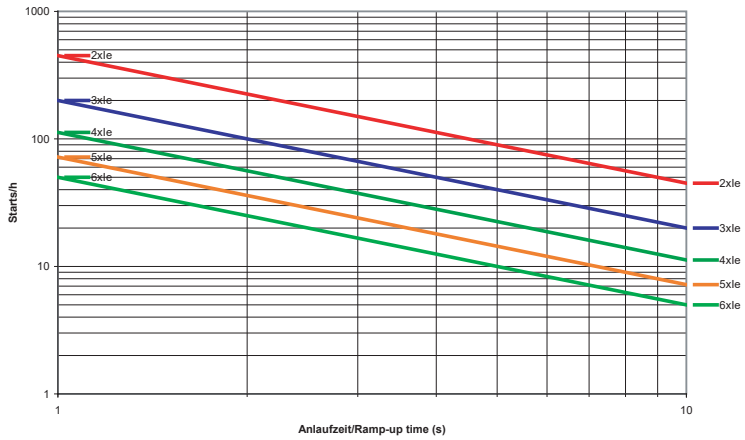
The following diagrams are to assist you in determining the maximum starting frequency per hour, i.e., on the basis of the given maximum starting current and for various starting times.

Should the requested starting frequency not be reached, a different device series has to be chosen.

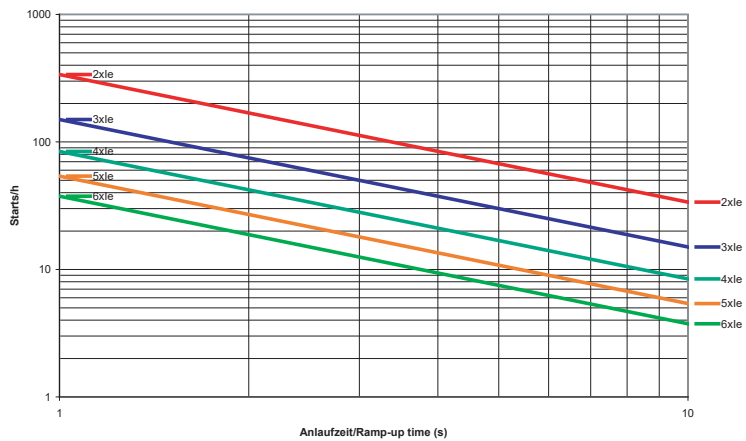
Example: In a drive, a 15 kW-motor is to be started. A maximum starting current of 120A has been measured. This approximately corresponds to the 4-fold nominal current. The device employed is a VS II 400-32. From the applicable chart it is now possible to read off a max. starting frequency per hour lying between 280 (starting time = 1s) and 28 (starting time = 10S).

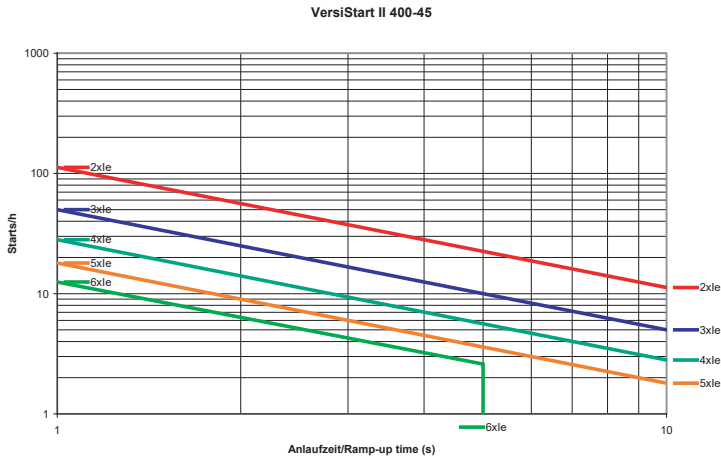


VersiStart II 400-25



VersiStart II 400-32





12. Special units

The rated voltage of a device featuring special voltage is indicated on the rating plate. In the case of devices with voltages < 400V it must be ensured that the device rating and the motor rating are not identical. Of prime importance in this connection is the rated device current and the motor current according to rating plate.

12.1 Devices with rated voltage of 230V or 480V

It must be ensured that the mains voltage value indicated on the rating plate is connected to the terminals L1, L2, L3.

Otherwise the devices are to be put into operation like standard devices.

12.2 Devices featuring a wide-voltage-range power section

In the case of wide-voltage-range-capable devices the voltage range for the power supply is 200V ... 480V. Besides, in order to operate the devices, it is necessary to connect an control supply voltage U_S of 24VDC $\pm 10\%$ /150mA to the terminals X1 (+24V) and X4 (ground).

In case of devices with ext. control supply voltage 230VAC the supply will be connected to X7 and X8. The auxiliary contact „Device bypassed“ is not applicable on these devices!



Caution:

These devices must be reset by disconnecting the control supply voltage.

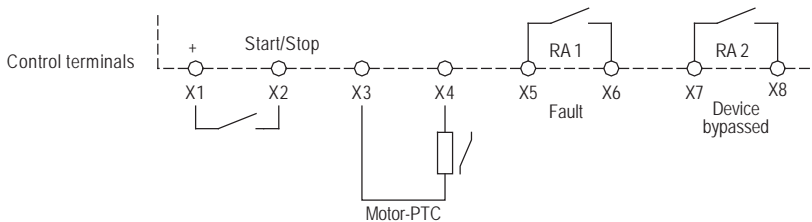
Otherwise the devices are to be put into operation like standard devices.

12.3 Devices featuring special voltage $\geq 500V$

Devices $\geq 500V$ are equipped with power semiconductors featuring higher reverse voltages. These devices are to be connected and put into operation like devices having a wide-voltage-range power section.

12.4 Devices with motor-PTC input

In the case of these devices, it is possible to connect a motor-PTC for motor temperature monitoring. The sensor lines of the motor-PTC are to be connected to the terminals X3 and X4 (\perp).



If the motor temperature exceeds the switching threshold, the motor PTC triggers a fault. The soft starter switches the motor off and is interlocked in fault mode. The fault is signaled by the yellow LED repeatedly flashing two times and by an opening of the relay contact between the terminals X5 and X6.

Let the motor cool down, identify the root cause and remove the cause of the intense heating up of the motor. By switching off the supply voltage, the soft starter can be reset from fault mode into operating mode.



Caution!

To avoid EMI couplings into the electronics and their disturbances they involve, it is not allowed to use free, unshielded strands in the motor cable for connecting the temperature sensor to the soft starter.

The temperature sensor should be connected with the soft starter by a separate, and preferably, shielded cable. The line ends are to be neatly terminated and unshielded lines must be kept as short as possible.

The sensor cable is, as far as possible, to be laid separately from the power cables in separate cable ducts. If crossings of power cables and control cables are inevitable, they should be arranged at an angle of 90° .

13. Installation guideline

The devices are to be installed into a switchbox or switchgear cabinet according to point 7. It must be ensured that the switchbox/switchgear cabinet is capable of dissipating the occurring heat loss (see techn. data).

13.1 Connection

The device is to be installed according to the attached connection diagram. For other connections please consult PETER electronic GmbH & Co. KG.

13.1.1 Earthing

The electrical earthing provided ensures a low impedance connection between all metallic surfaces. Apart providing a degree of electrical safety and isolation, the earthing also has the beneficial effect that the flow of RF currents can be directed through the structure of the equipment rather than through sensitive circuits, where it could be disruptive. It is for this reason that it is vitally important to provide separate earth conductors for each part of the installation all connected to a common star point.

13.1.2 Cabling

To avoid EMI couplings into the electronics and the disturbances they involve, it must be ensured that the control cables are laid separately in separate cable ducts and as far as possible away from the power cables. If control cables crossing power cables, they have to be laid at an angle of 90° (Figure 1).

When connection shielded cables make sure that the unshielded cable ends are as short as possible. The large-surface shield bonding must not necessarily be located on the end of the shielding but may also be established in a suitable place - at a distance of some centimetres (Figure 2).

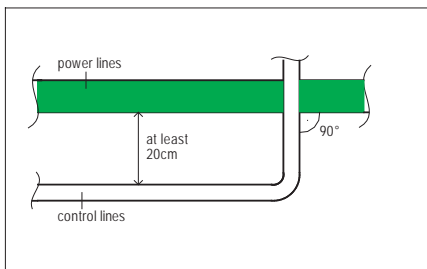


Figure 1

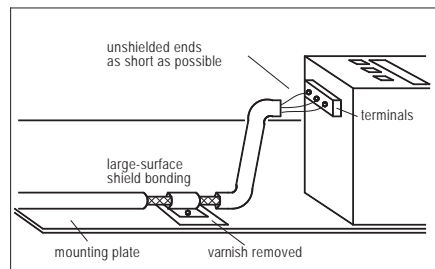


Figure 2



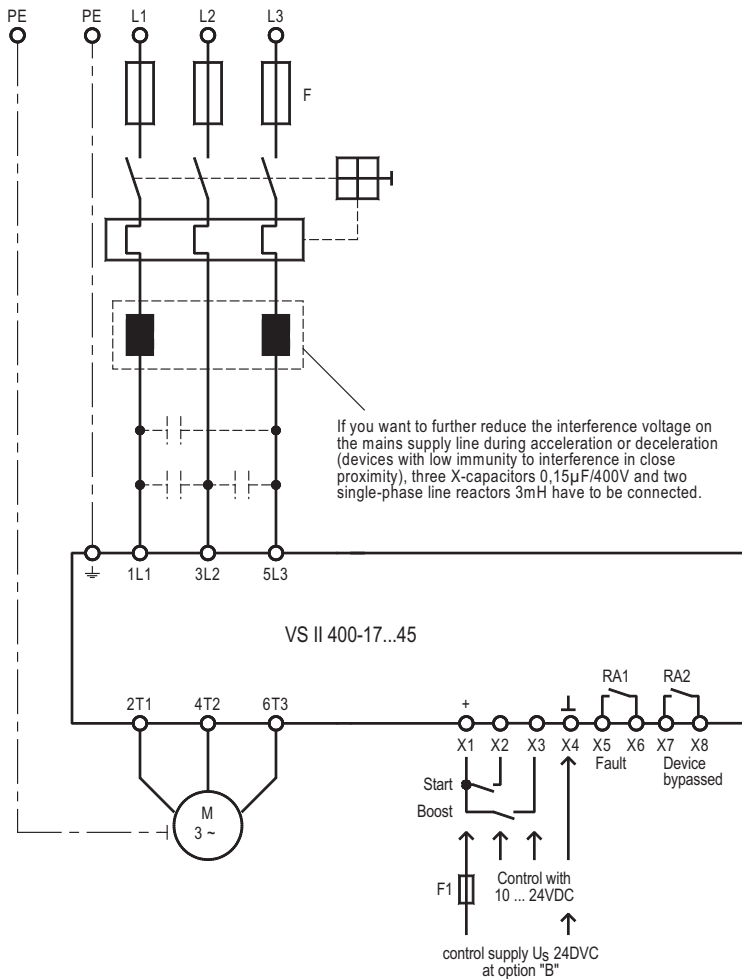
Caution:

The protective conductor connection to the motor must not be laid in shielded motor cables, but is to be separately laid with an appropriate cross-sectional area. The individual earthing systems, power earth, protective earth, digital earth, and analog earth conductors should be laid separately by using a suitable star-point wiring.

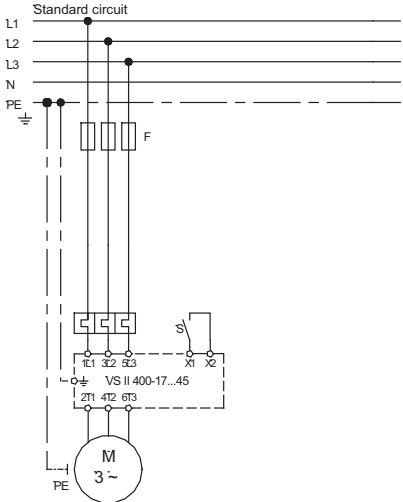
Note: Further connection diagrams for special circuit arrangements are available on our homepage at www.peter-electronic.com.

Note: Prior to putting the VersiStart II into operation the wiring is to be checked.

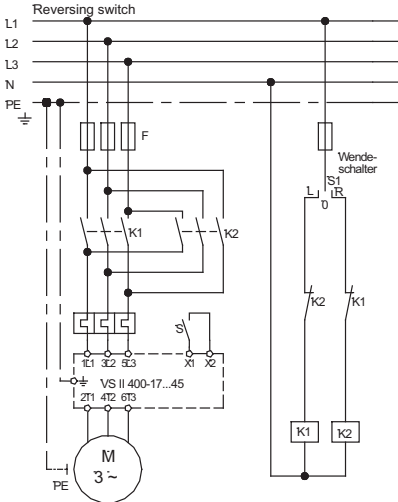
13.2 General connection diagram



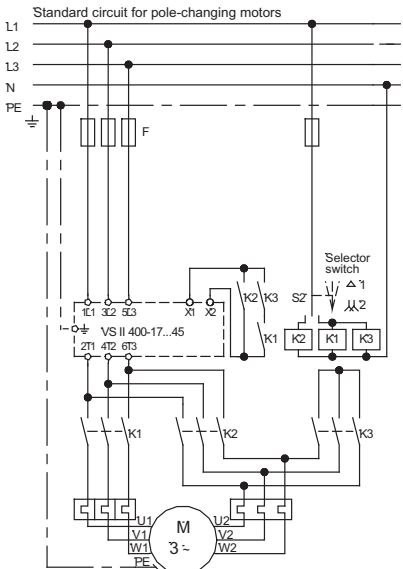
13.3 Typical connections



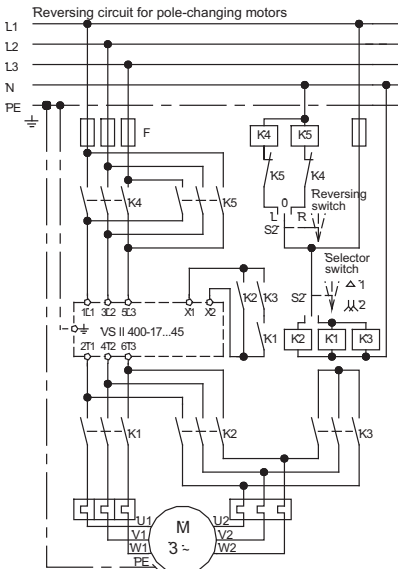
S - closed = acceleration; S - open = deceleration



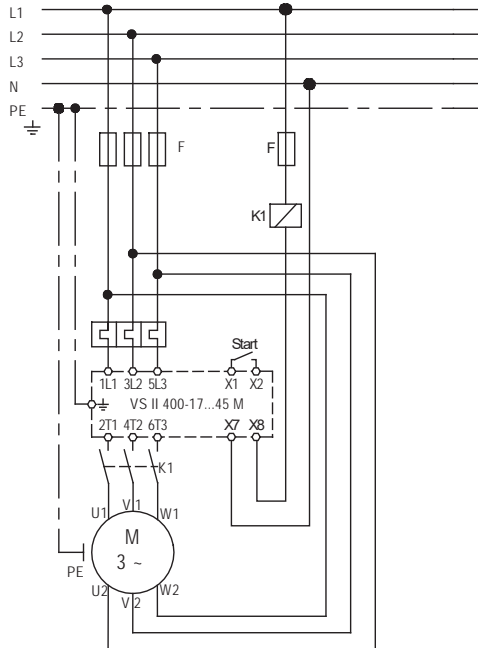
S - closed = acceleration; S - open = deceleration



for pole-changing motors turn trimmer t off to 0 (counter-clockwise stop)



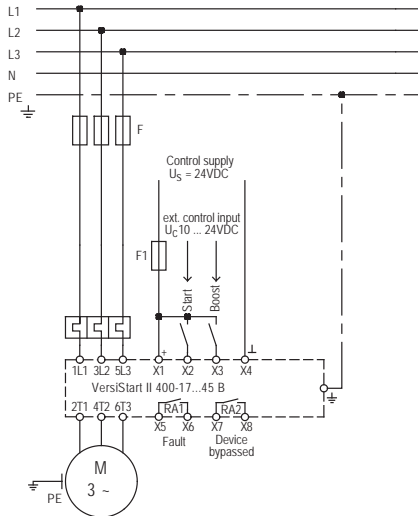
13.4 Motor/Soft start in delta connection (only units with option „M“)



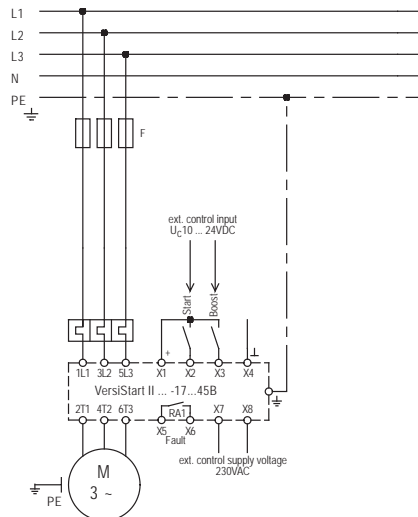
Further connection diagrams are available via the internet at www.peter-electronic.com

13.5 Wide-voltage-range connection

13.5.1 Devices with control supply voltage 24VDC

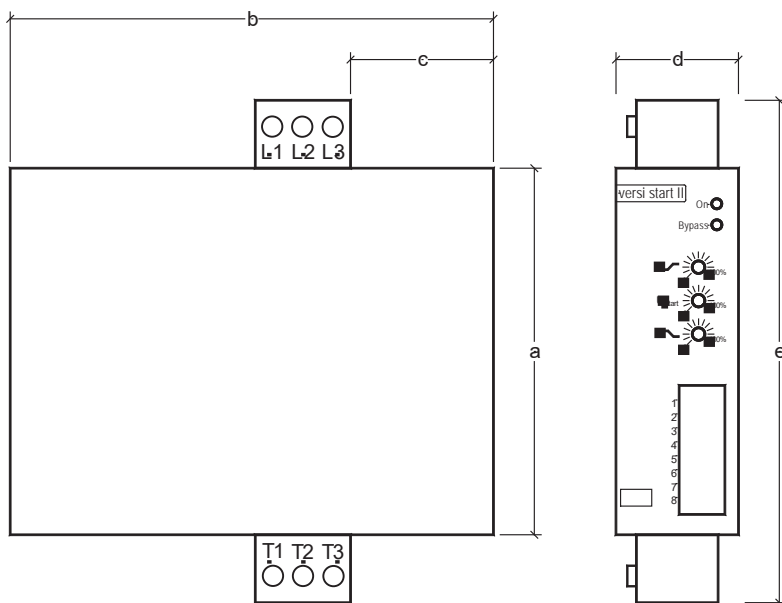


13.5.2 Devices with control supply voltage 230VAC



Further connection diagrams are available via the internet at www.peter-electronic.com

14. Dimensions



| Mounting dimensions | a | b | c | d | e |
|---------------------|-----|-----|----|------|-----|
| VS II 400-17...32 | 125 | 158 | 53 | 45 | 173 |
| VS II 400-45 | 125 | 158 | 53 | 52.5 | 178 |

All dimensions indicated in mm.

15. Special units

Please see supplement.



www.peter-electronic.com

