

AC drive for single-phase AC motors VersiDrive i E3S/IP66/IP66S [0,37 – 1,1kW] 4.07

Features:

- small inverter for single-phase AC motors
- suitable for capacitor and shaded pole motor
- easy programming and connection
- 14 parameter for basic settings
- precise digital control via push of a button
- application macros (industrial, pumps and fan operation)
- PTC input
- adjustable fixed frequencies
- max. rotating field frequency 120Hz
- integrated braking chopper at 1,1kW
- degree of protection IP66
- integrated mains filter
- serial communication with Modbus RTU and CANopen



AC drive for single-phase AC motors
VD i E3S/IP66/IP66S [0,37 – 1,1kW]



Function:

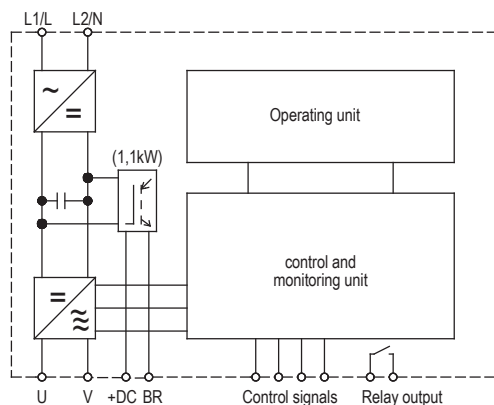
- control and setpoint entry via terminals, operating unit and Bus-systems
- PWM clock frequency 4 - 32kHz
- DC braking
- potential-free control and signalling contacts
- 150% overload for 60s
- detailed trouble check via parameter „0“
- integrated PI controller
- U/f characteristics control
- „IP66S“ model with potentiometer, right-left switch and line disconnecter

Typical application:

electric pumps, heat pumps, vacuum pumps
ventilators and fans, travelling cranes, extraction systems
compressors, stirrers, centrifuges, saws
conveyors, woodworking machines
grinding machines, textile machines
packaging machines, printing machines
others

Options : (please see accessories)

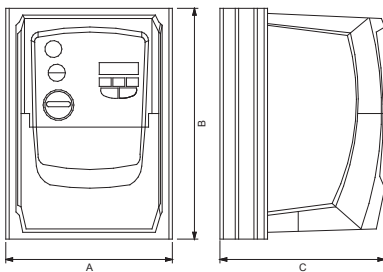
- memory stick with copying function
- remote control module (LED or OLED display)
- RJ45 cable and cable splitter
- braking resistors
- software for parameterization



Typical designation	VD i ... /E3S/IP66/IP66S		
	037	075	110
motor shaft power / kW	0,37	0,75	1,1
mains voltage according to DIN EN 50160 (IEC 38)	single-phase 200-240V, 48-62Hz		
output current / A	4,3	7	10,5
order number with switch IP66S: 2j308. ...	23037	23075	23110
order number without switch IP66: 2j311. ...	23037	23075	23110

Technical data	VD i ... /E3S/IP66/IP66S		
motor shaft power / kW	0,37	0,75	1,10
mains voltage according to DIN EN 50160 (IEC 38)	0,37	0,75	1,1
output current / A	4,3	7	10,5
control functions	0 – 120Hz		
frequency setting range	U/f characteristics, energy optimized U/f control		
torque boost	0 ... 600s		
ramp-up and ramp-down time	potentiometer $\geq 1k\Omega$, analogue signals, keypad, fixed frequencies, motor potentiometer, Modbus RTU, CANopen		
frequency setpoint	-10 ... 40°C, -40 ... 60°C		
ambient / storage temperature	1		
design size	2		
weight / kg	2,8	4,6	

Dimensions:



size	A	B	C
1	161	232	179
2	188	257	186,5

All dimensions indicated in mm

Connection Diagram:

