

AC drive for single-phase AC motors VersiDrive i E3S/IP66ODS [0,37 - 1,1kW]

**Features:**

- ❑ small inverter for single-phase AC motors
- ❑ suitable for capacitor and shaded pole motor
- ❑ easy programming and connection
- ❑ 14 parameter for basic settings
- ❑ precise digital control via push of a button
- ❑ application macros (industrial, pumps and fan operation)
- ❑ PTC input
- ❑ adjustable fixed frequencies
- ❑ max. rotating field frequency 120Hz
- ❑ integrated braking chopper at 1,1kW
- ❑ degree of protection IP66 for outdoor use
- ❑ integrated mains filter
- ❑ serial communication with Modbus RTU and CANopen



AC drive for single-phase AC motors  
VD i E3S/IP66ODS [0,37 – 1,1kW]



**Function:**

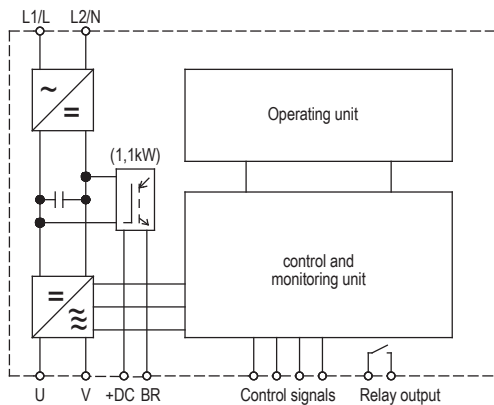
- ❑ control and setpoint entry via terminals, operating unit and Bus-systems
- ❑ PWM clock frequency 4 - 32kHz
- ❑ DC braking
- ❑ potential-free control and signalling contacts
- ❑ 150% overload for 60s
- ❑ detailed trouble check via parameter „o“
- ❑ integrated PI controller
- ❑ U/f characteristics control
- ❑ „IP66ODS“ model with potentiometer, right-left switch and line disconnecter

**Typical application:**

electric pumps, heat pumps, vacuum pumps  
ventilators and fans, travelling cranes, extraction systems  
compressors, stirrers, centrifuges, saws  
conveyors, woodworking machines  
grinding machines, textile machines  
packaging machines, printing machines  
others

**Options :** (please see accessories)

- ❑ memory stick with copying function
- ❑ remote control module (LED or OLED display)
- ❑ RJ45 cable and cable splitter
- ❑ braking resistors
- ❑ software for parameterization

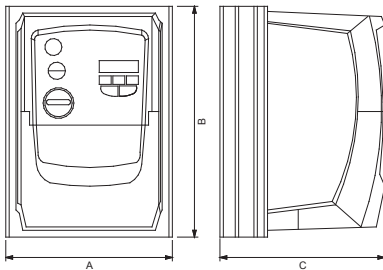


Typical designation	VD i ... /E3S/IP66ODS		
	037	075	110
motor shaft power / kW	0,37	0,75	1,1
mains voltage according to DIN EN 50160 (IEC 38)	single-phase 200-240V, 48-62Hz		
output current / A	4,3	7	10,5
order number			
with switch IP66ODS:	2l314... 23037	23075	23110

## AC drive for single-phase AC motors VersiDrive i E3S/IP66ODS [0,37 – 1,1kW]

Technical data	VD i ... /E3S/IP66ODS		
	037	075	110
motor shaft power / kW	0,37	0,75	1,1
mains voltage according to DIN EN 50160 (IEC 38)	single-phase 200-240V, 48-62Hz		
output current / A	4,3	7	10,5
control functions			
frequency setting range	0 – 120Hz		
torque boost	U/f characteristics, energy optimized U/f control		
ramp-up and ramp-down time	0 ... 600s		
frequency setpoint	potentiometer >= 1kΩ, analogue signals, keypad, fixed frequencies, motor potentiometer, Modbus RTU, CANopen		
ambient / storage temperature	-10 ... 40°C, -40 ... 60°C		
design size	1	2	
weight / kg	2,8	4,6	

### Dimensions:



size	A	B	C
1	161	232	179
2	188	257	186,5

All dimensions indicated in mm

### Connection Diagram:

