

Rotational Speed Monitor VersiSafe Speed 6.03

**Features:**

- ❑ safe, sensorless drive monitoring
- ❑ over-, underfrequency or window monitoring of single-phase or 3-phase AC systems
- ❑ user friendly frontside display
  - comfortable, menu guided configuration
  - for set point and actual value of Hz
- ❑ manual or auto-reset
- ❑ simple and time-saving setup without PC
- ❑ extensive diagnostic functions
- ❑ possibility of overriding the speed by a supervisory function (muting)
- ❑ up to 4 activatable operating modes (e.g. automatic-, installation- or service operation)
- ❑ galvanic separation between measuring input, auxiliary voltage and output contacts
- ❑ 2-channel function
- ❑ forcibly guided output contacts
- ❑ LED-indicators and 2 semiconductor monitoring output
- ❑ analog output
- ❑ up to 4 frequency modes selectable
- ❑ width 45 mm



Rotational Speed Monitor  
**VersiSafe Speed**  
CE

**Function:**

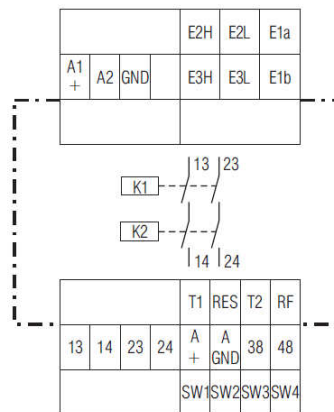
- ❑ fast reaction time by measuring duration of cycle of input frequency
- ❑ adjustable hysteresis
- ❑ adjustable reset delay function from 0 ... 100 s
- ❑ adjustable start up time delay from 0 ... 100 s
- ❑ adjustable alarm delay from 0,1 ... 100 s

**Typical Applications:**

monitoring of output frequency of inverters  
platform technics  
wood working machinery  
machine tools  
wind generator machines  
crane applications

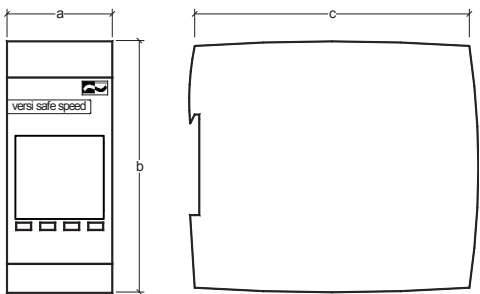
**Safety rated data:**

- ❑ safety category 4 / Performance Level (PL) e to DIN EN ISO 13849-1
- ❑ SIL-Claimed Level (CL) 3 to EN 62061 and EN 61800-5-2
- ❑ SIL 3 to IEC 61508 and EN 61511
- ❑ safety functions according to EN 61800-5-2  
STO (Safe Torque Off),  
SOS (Safe Operating Stop),  
SLS (Safely Limited Speed),  
SSM (Safe Speed Monitor)  
SSR (Safe Speed Range)



<b>Typical designation</b>	VersiSafe Speed
<b>voltage range</b>	
E1a-E2L, E1b-E3L	AC 8 ... 280 V
E1a-E2H, E1b-E3H	AC 16 ... 600 V
<b>auxiliary voltage U<sub>H</sub></b>	24 VDC, typ. 3,2W
<b>input frequency</b>	<700Hz
<b>response value (frequency threshold)</b>	adjustable from 1 Hz ... 600 Hz
<b>pulse frequency inverter</b>	≥ 1 kHz
<b>measuring accuracy</b>	< ± 2 %
<b>reaction time of frequency monitoring</b>	duration of 1 cycle (inverse value of adjusted frequency) + 10 ms + adjusted response delay
<b>contacts</b>	2 NO contacts forcibly guide, Semiconductor monitoring output
<b>degree of protection</b>	housing IP40, terminals IP20
<b>ambient- /storage temperature</b>	-25°C...+60°C / -40°C...+75°C
<b>weight / kg</b>	0,4
<b>order number</b>	27810.69000

Dimensions:

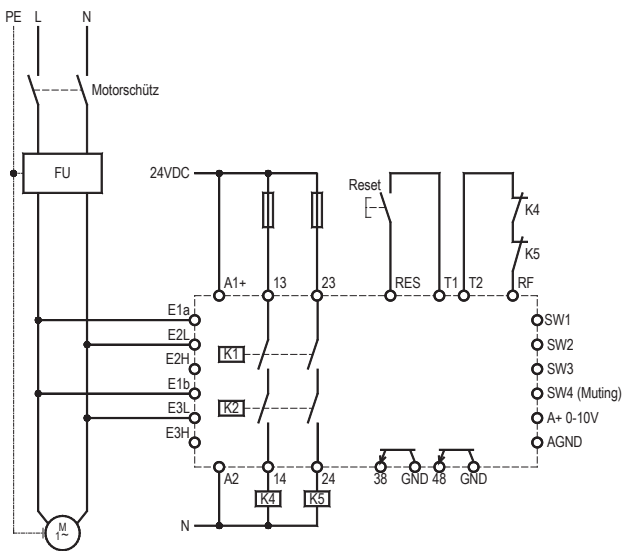


Mounting dimensions	a	b	c
VersiSafe Speed	45	107	121

All dimensions in mm

Connection Diagram:

single-phase:



three-phase:

