

Soft Starter with reversing function VersiStart II 9 PS [9A] 1.05

**Features:**

- ▣ two-phase controlled soft starter with reversing function
- ▣ controlled by microcontroller
- ▣ currentless reversing with relay, soft start with thyristors
- ▣ overload protection
- ▣ 4 potentiometers to adjust starting torque, stopping torque, acceleration / deceleration time and overcurrent limit
- ▣ electrically isolated 24V inputs for clockwise / anti clockwise rotation
- ▣ reset via device panel or external reset switch
- ▣ 4 LEDs as status indicators
- ▣ current and torque reduction during start-up
- ▣ integrated bypass relay
- ▣ integrated mains contactor
- ▣ ultra-slim compact design, width: 22,5mm
- ▣ degree of protection IP20



Soft Starter with reversing function  
**VersiStart II 9 PS [9A]**  
**CE**

**Function:**

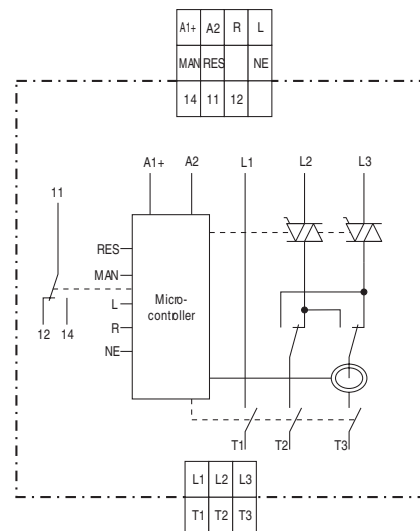
- ▣ soft start and soft stop
- ▣ reversing function
- ▣ current monitoring
- ▣ blocking protection
- ▣ potential-free relay outputs for operational status
- ▣ signalling output programmable acc. to customer requirements

**Typical Applications:**

reversing drive for door and gate control,  
bridge drives and hoisting gear with blocking protection  
conveying systems with blocking protection  
actuators in process technology with blocking protection  
points drives, others

**Option: (upon request)**

- ▣ special acceleration/deceleration time 0 ... 1s
- ▣ motor protection variant

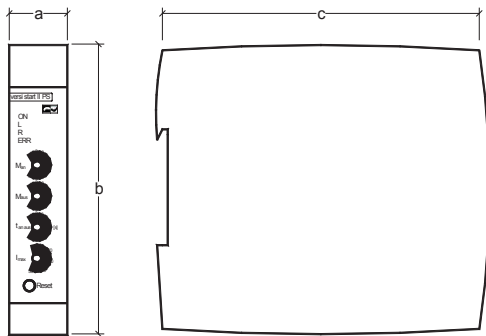


Typical designation	VersiStart II 9 PS
rated device current	9A
mains / motor voltage acc. to DIN EN 50160 (IEC 38)	200-480V ±10% 50/60Hz
motor rating at 400V mains voltage	4kW
order number	2S610.40009

Please observe supplementary sheet with dimensioning rules!

Technical data	VersiStart II 9 PS
mains / motor voltage acc. to DIN EN 50160 (IEC 38)	200-480V $\pm 10\%$ 50/60Hz
rated device current	9A
motor rating at 400V mains voltage	4kW
power consumption	2W
min. motor rating	25W
operating mode	9,0A: AC 53a: 6-2 100-30
auxiliary voltage	24VDC $\pm 10\%$
acceleration time	1 ... 10s (special times available)
start voltage	30 ... 80%
deceleration time	1 ... 10s (special times available)
restart time	250ms
$I^2t$ –power semiconductor in A <sup>2</sup> s	200
overcurrent measuring unit	5 ... 50A
cross-sectional area for connetion	0,34 ... 2,5mm <sup>2</sup>
switching capacity relay output open/close contact	3A/230VAC; 1A/230VAC
ambient / storage temperature	0 ... 60°C (derating)
weight / kg	0,25

## Dimensions:



Mounting dimensions	a	b	c
VersiStart II 9 PS	22,5	105	120,3

All dimensions indicated in mm.

## Connection Diagram:

