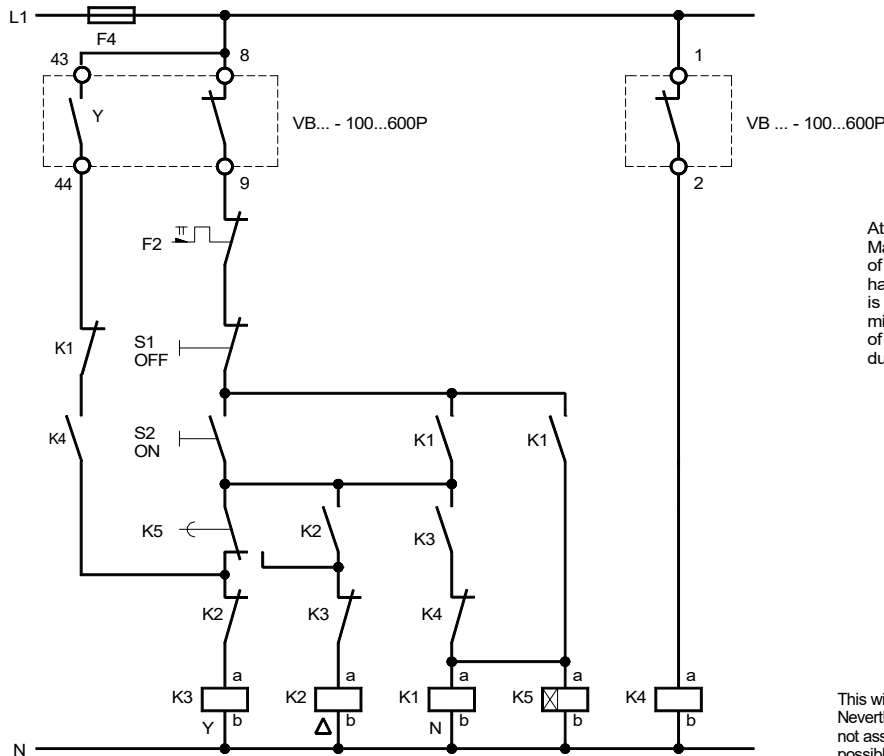


Attention!
This wiring proposal requires
VersiBrake-devices with option "P".



Attention:
Manual operation
of the contacts by
hand during braking
is forbidden. There
might be a destruction
of the semiconductors
due to short circuit.

This wiring proposal has been prepared with great care. Nevertheless, PETER electronic GmbH & Co. KG does not assume liability for damage resulting from mistakes possibly contained in it. We reserve the right to make changes due to technical improvements.

www.peter-electronic.com

PETER electronic GmbH & Co. KG, Bruckäcker 9, D-92348 Berg, Tel. (09189) 4147-0, Fax (09189) 4147-47

External star-delta softstarter and e-brake in star circuitry
with electronic braking system
VersiBrake [100 - 600A] Option P

Nummer:

Connection diagram

Bearb.: Wein

Datum 01.08.2011

Filename: VB-100P_Ext_SD_GB.skf

Geändert:

Geprüft: Ki

Blatt von