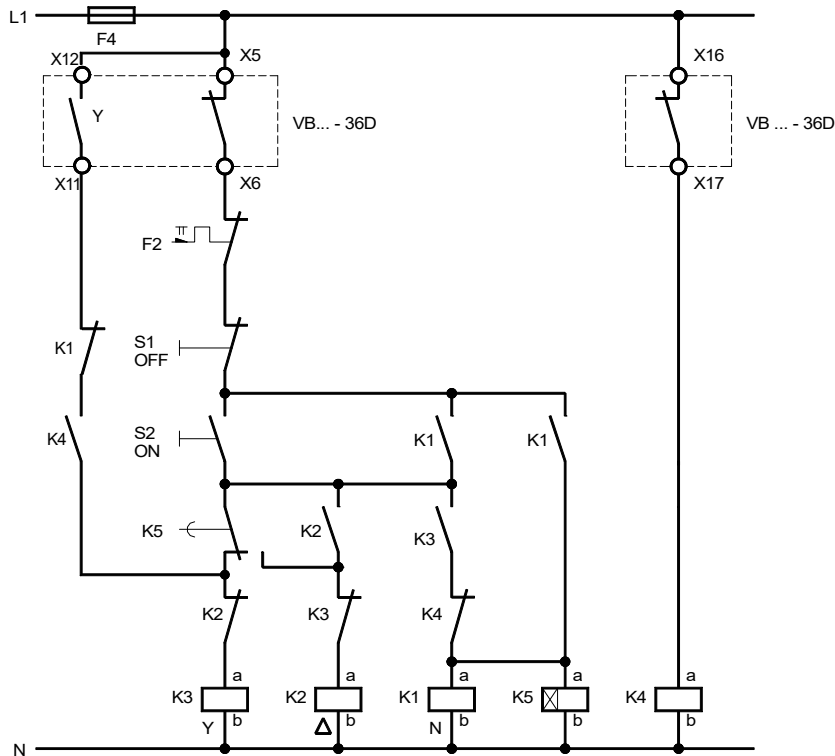


Attention!
This wiring proposal requires
VersiBrake - devices with option "D".



Attention:
Manual operation
of the contacts by
hand during braking
is forbidden. There
might be a destruction
of the semiconductors
due to short circuit.

This wiring proposal has been prepared with great care. Nevertheless, PETER electronic GmbH & Co. KG does not assume liability for damage resulting from mistakes possibly contained in it. We reserve the right to make changes due to technical improvements.

www.peter-electronic.com

PETER electronic GmbH & Co. KG, Bruckäcker 9, D-92348 Berg, Tel. (09189) 4147-0, Fax (09189) 4147-47

External star-delta softstarter and e-brake in
star circuitry with braking device VersiBrake [36A] option D

Nummer:
Connection diagram

Bearb.: Wein

Datum 29.07.2011

Filename: VB-36D_Ext_SD_GB.skf

Geändert:

Geprüft: Ki

Blatt von