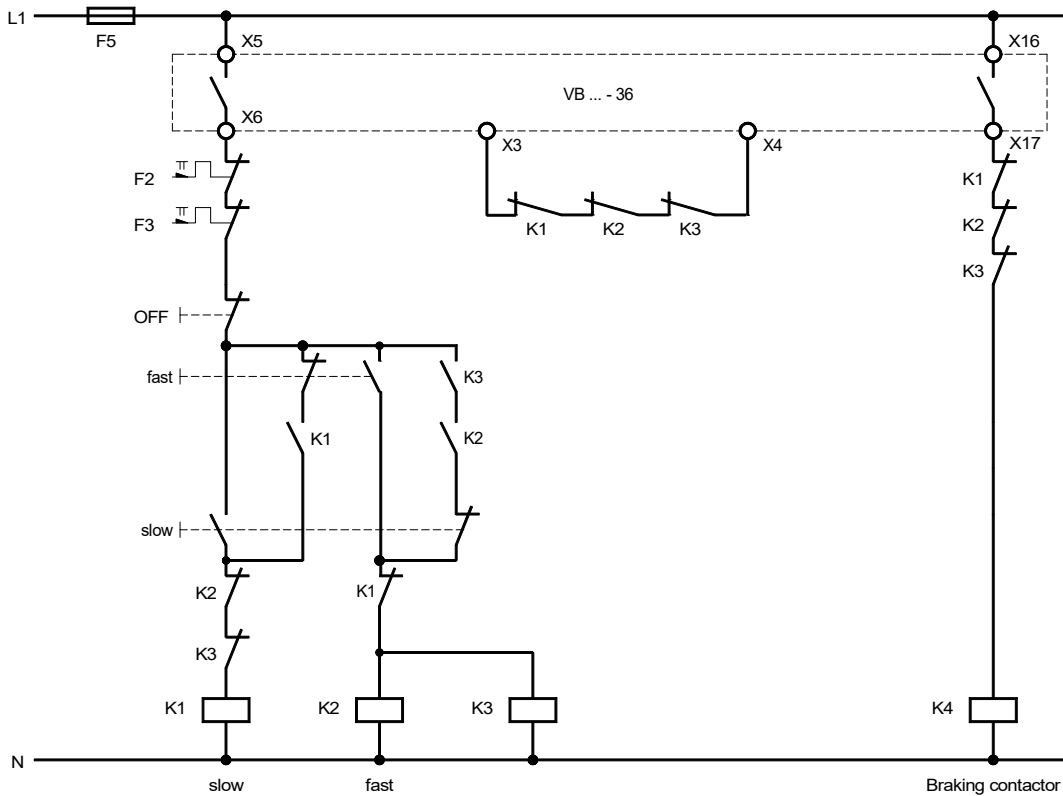


This wiring proposal has been prepared with great care. Nevertheless, PETER electronic GmbH & Co. KG does not assume liability for damage resulting from mistakes possibly contained in it. We reserve the right to make changes due to technical improvements.



www.peter-electronic.com

PETER electronic GmbH & Co. KG, Bruckäcker 9, D-92348 Berg, Tel. (09189) 4147-0, Fax (09189) 4147-47

**Braking device VersiBrake [36A]
Dahlander pole changing**

Nummer:
Connection diagram

Bearb.: Wein

Datum 12.07.2011

Filename: VB-36_Dahlander_GB.skf

Geändert:

Geprüft: Ki

Blatt von