

Features:

- two-phase controlled digital soft starter (11-800kW)
- integrated bypass
- current and torque reduction during acceleration
- USB port
- comprehensive and customizable motor operating performance
- display graphical LCD – real time graphs of motor operating performance
- degree of protection IP20 up to 135A
- motor PTC connection



Soft Starters
VS p II ...-24 ... 229
CE

Functions:

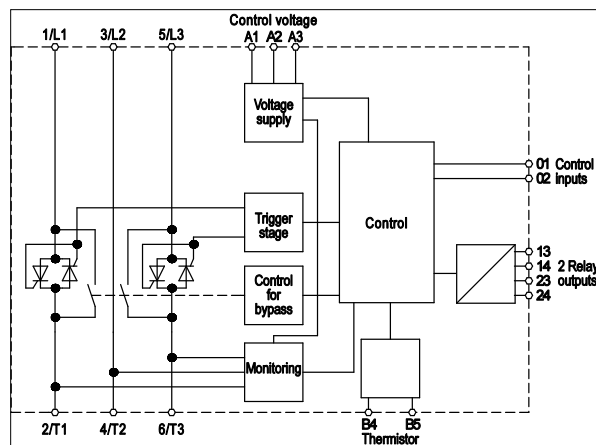
- adjustable initial start current level up to 600% of nominal rating
- remote control inputs (2x fixed, 2x programmable)
- relay outputs (3x programmable)
- 24VDC output
- analog output
- divers soft start/stop control types
- units with 600V upon request

Typical Applications:

pumps, ventilators
compressors
mills, crushers, presses
conveying systems
drives with high-inertia starting

Accessories:

- Remote Keypad & Cable (29000.2S801)
- DeviceNet Interface (29000.2S802)
- Ethernet IP Interface (29000.2S803)
- ModBus RTU Interface (29000.2S804)
- ModBus TCP Interface (29000.2S805)
- Profibus Interface (29000.2S806)
- Profinet Interface (29000.2S807)
- Remote Keypad Card (29000.2S808)
- Remote Keypad, Card & Cable (29000.2S809)
- SmartCard Pump Application (29000.2S810)
- Finger protection (from 184A up to 580A, 29000.2S811)

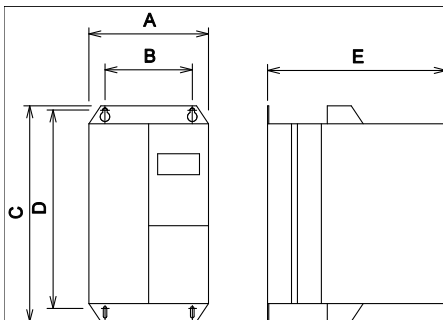


Typical designation	VS p II 525/600 -							
	24B* C1 / C2	42B C1 / C2	52B C1 / C2	69B C1 / C2	105B C1 / C2	135B C1 / C2	184B C1 / C2	229B C1 / C2
rated device current	24A	42A	52A	69A	105A	135A	184A	229A
mains voltage	200-525V 45-66Hz 380-600V 45-66Hz							
control voltage	C1: 110VAC; 220VAC -15%/+10% 600mA; C2: 24VDC/24 VAC ±20% 2.8A							
motor rating at Ue 400V	11kW	18,5kW	22kW	30kW	55kW	60kW	75kW	110kW
order number:								
C1 2S800.50...	024	042	052	069	105	135	184	229
C2 2S801.50...	024	042	052	069	105	135	184	229

*B=with bypass relay

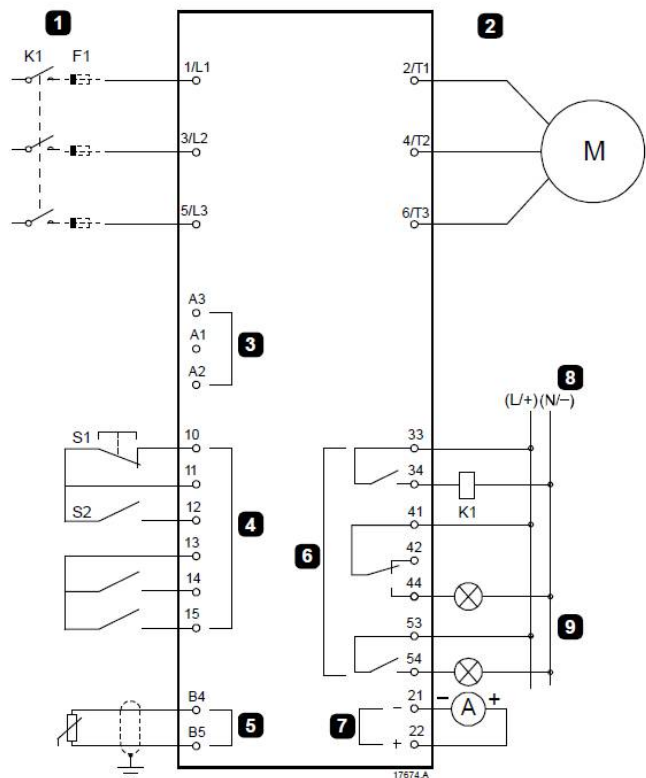
	VS p II 525/600 -							
Technical data	24B C1 / C2	42B C1 / C2	52B C1 / C2	69B C1 / C2	105B C1 / C2	135B C1 / C2	184B C1 / C2	229B C1 / C2
max. power dissipation - during start - in operation	4,5W per A about 35W			4,5W per A about 50W			4,5W per A about 120W	
I ² t-value power semiconductors in A ² s	1150	8000	8000	15000	80000	125000	320000	320000
min. motor load	5A	9A	11A	15A	21A	29A	34A	44A
utilization category	AC53b							
EMC	meets EU standard 89/336/EEC; IEC 60947-4-2 class B; IEC 60947-4-2							
ambient / storage temperature	-25°C up to +60°C (derating) / -25°C up to +60°C							
inputs	active 24VDC about 8mA, motor PTC (trip >3,6kOhm, reset <1,6kOhm)							
relay outputs	10A at 250VAC resistive, 5A at 250VAC AC15 Lf 0,3							
analog output	0 up to 20mA or 4 up to 20mA							
24VDC output	max. 200mA							
kinds of start	constant current, current ramp, adaptive control							
kinds of stop	soft stop via voltage drop in an allowed time, free deceleration							
adaptable protection functions	motor overload, min. current, max. starting time, short-time over-current, current unbalance, mains frequency, phase sequence							
certificaton	CE, RoHS conform, RCM, Lloyds Register, UL / cUL							
weight / kg	5,3		5,4		6,6		13	

Dimensions:



	A (mm)	B (mm)	C (mm)	D (mm)	E (mm)
VS p II...-24	152	92	336	307	231
VS p II...-42	152	92	336	307	231
VS p II...-52	152	92	336	307	231
VS p II...-69	152	92	336	307	231
VS p II...-105	152	92	336	307	231
VS p II...-135	152	92	336	307	231
VS p II...-184	216	180	495	450	243
VS p II...-229	216	180	495	450	243

Connection Diagram:



1	Three-phase supply	K1	Main contactor
2	Motor	F1	Semiconductor fuses (optional)
3	Control voltage (soft starter)	10, 11 (S1)	Reset
4	Digital inputs	11, 12 (S2)	Start/Stop
5	Motor thermistor input	13, 14	Programmable input A (default = Input Trip (N/O))
6	Relay outputs	13, 15	Programmable input B (default = Input Trip (N/O))
7	Analog output	B4, B5	Motor thermistor input
8	Control voltage (external equipment)	33, 34	Main contactor output
9	Pilot lamps	41, 42, 44	Relay output A (default = Run)
		53, 54	Relay output B (default = Trip)
		21, 22	Analog output