



AC drive VersiDrive i 21MS3-F/43MS3-F [0,2 – 22kW] 4.01

Features:

- ☑ U/f-characteristics control
- ☑ open loop vector control
- ☑ induction motors, PM motors
- ☑ safe torque shutdown STO
- ☑ detachable operating unit
- ☑ max. rotating field frequency 599Hz
- ☑ integrated braking chopper
- ☑ degree of protection IP20
- ☑ integrated mains filter
- ☑ USB port
- ☑ integrated MODBUS
- ☑ replaceable fan



AC drive
VD i 21MS3-F [0,2 – 2,2kW]
VD i 43MS3-F [0,37 – 22kW]
 

Function:

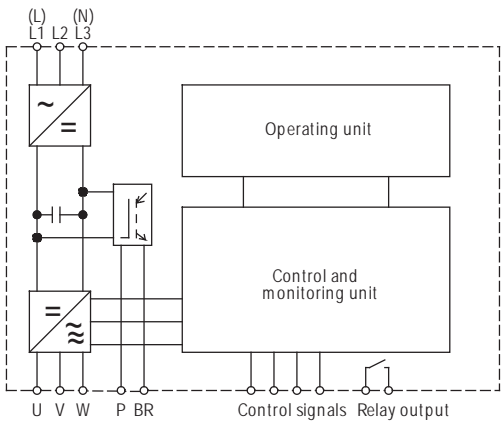
- ☑ control and setpoint entry via terminals, operating units and bus systems
- ☑ built-in PLC function
- ☑ potential-free control and signalling contact
- ☑ 4 motor parameter sets
- ☑ 150% overload for 60s
- ☑ PWM in-/output
- ☑ PI controller

Typical Applications:

centrifuges, ventilators, pumps, conveying systems
 grinding machines, woodworking machines
 printing machinery, packaging machines
 textile machines, others

Options: (please see accessories)

- ☑ extension cable for operating unit
- ☑ Profibus DP
- ☑ Modbus TCP
- ☑ EtherNet/IP
- ☑ EtherCAT
- ☑ DeviceNet module
- ☑ CANopen
- ☑ operating software

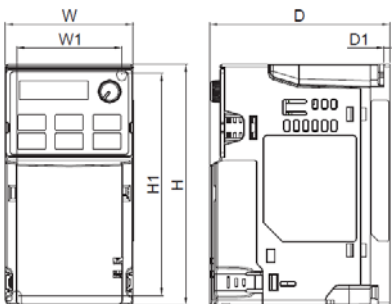


Typical designation	VD i ...-21MS3-F					VD i ...-43MS3-F										
	020	037	075	150	220	037	075	150	220	400	550	750	1100	1500	1850	2200
motor shaft power / kW	0,20	0,37	0,75	1,5	2,2	0,37	0,75	1,5	2,2	4	5,5	7,5	11	15	18,5	22
mains voltage according to DIN EN 50160 (IEC 38)	single-phase 200-240V, +10%, -15% 50/60Hz ±5%					three-phase 380-480V, +10%, -15% 50/60Hz ±5%										
output rated current ND /A*	1,8	3,2	5	8,5	12,5	1,8	3,2	5	6,5	10,5	15,7	20,5	28	36	41,5	49
output rated current HD /A*	1,6	2,8	4,8	7,5	11	1,5	2,7	4,2	5,5	9	13	17	25	32	38	45
order number 2Dooo. ...	21020	21037	21075	21150	21220	43037	43075	43150	43220	43004	43005	43007	43011	43015	43018	43022
recommended mains filter (class C1)	27012.24016		27012.24030		27114.48006		27114.48016		27114.48030		27114.48055					

* HD – high duty, ND – normal duty

Technical data	VD i ... -21MS3-F					VD i ... -43MS3-F															
	020	037	075	150	220	037	075	150	220	400	550	750	1100	1500	1850	2200					
motor shaft power / kW	0,20	0,37	0,75	1,5	2,2	0,37	0,75	1,5	2,2	4	5,5	7,5	11	15	18,5	22					
mains voltage according to DIN EN 50160 IEC 38)	single-phase 200-240V ,+10%, -15% 50/60Hz ±5%					three-phase 380-480V,+10%,-15% 50/60Hz ±5%															
output rated current ND/A*	1,8	3,2	5	8,5	12,5	1,8	3,2	5	6,5	10,5	15,7	20,5	28	36	41,5	49					
output rated current HD/A*	1,6	2,8	4,8	7,5	11	1,5	2,7	4,2	5,5	9	13	17	25	32	38	45					
control functions																					
control methods	U/f, SVC, sensorless FOC																				
frequency setting range	0-599Hz																				
clock speed	2-15kHz																				
starting torque	150% / 3 Hz 100% / (1/20 f _{Nenn}) (at PM motors)																				
overload capacity	ND: 120% for 60sek; 150% for 3sek HD: 150% for 60sek; 200% for 3sek																				
motor protection	overcurrent protection, overvoltage protection, overtemperature protection, phase failure protection																				
specification of frequency setpoints	0 ... +10 V/-10 V ...+10 V, 4...20 mA/0...20mA, 1 pulse input (33 kHz), 1 pulse output (33 kHz)																				
ambient / storage temperature	-20 ... 60°C (derating) / -40 ... 85°C																				
size	B			C			B			C			D			E			F		
weight / kg	1,4			1,8			1,4			1,8			3,0			5,2			8,5		

Dimensions:



size	W	H	D
B	72	142	159
C	87	157	179
D	109	207	187
E	130	250	219
F	175	300	244

All dimensions in mm

Connection Diagram:

