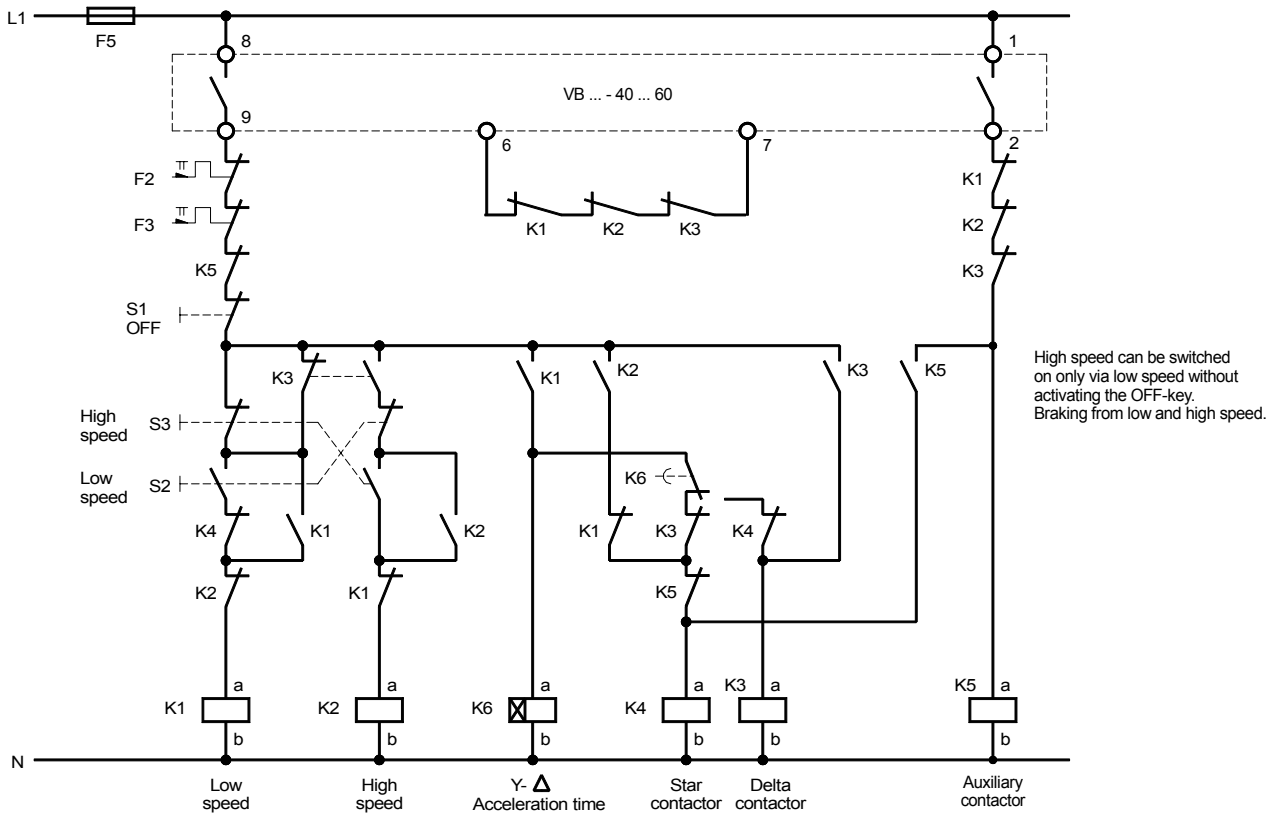


This wiring proposal has been prepared with great care. Nevertheless, PETER electronic GmbH & Co. KG does not assume liability for damage resulting from mistakes possibly contained in it. We reserve the right to make changes due to technical improvements.



PETER electronic GmbH & Co. KG, Bruckäcker 9, D-92348 Berg, Tel. (09189) 4147-0, Fax (09189) 4147-47

VB ... - 40 ... 60 with  
Star-delta pole-changing contactor (Dahlander)  
Star-delta start only via low speed

Nummer:  
Connection diagram

Bearb.: Wein

Datum 01.08.2011

Filename: VB-40\_Stern\_Dreieck\_Dahl\_GB.skf

Geändert:

Geprüft: Ki

Blatt von