

AC Drive VersiDrive i ... /Pro/3Pro up to 11kW 4.25

**Features:**

- ☑ V/F Voltage Vector
- ☑ Sensor-less Vector Speed am Torque Control (200% torque)
- ☑ Closed Loop Encoder control (Plug-In)
- ☑ Open and Closed Loop permanent magnet control
- ☑ PTC-input
- ☑ Max. rotating field frequency 500Hz
- ☑ STO meets IEC 61508 SIL2
- ☑ integrated braking chopper
- ☑ degree of protection IP20
- ☑ integrated mains filter
- ☑ serial communication with Modbus RTU



AC Drive  
VD i 075 ... 220/Pro  
VD i 075 ... 1100/3Pro



**Function:**

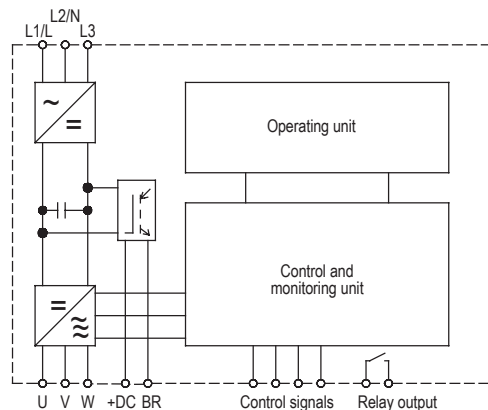
- ☑ control and setpoint entry via terminals and operating unit
- ☑ PWM-clock frequency 4 – 32kHz
- ☑ potential-free control and signalling contacts
- ☑ 150% overload for 60s
- ☑ integrated PI controller
- ☑ detailed trouble check via parameter P0-13
- ☑ integrated PLC

**Options:** (please see accessories)

- ☑ remote control module
- ☑ input and output module
- ☑ RJ45-cable and cable splitter
- ☑ Encoder-module
- ☑ Communication- and Bus-Plug-Ins
- ☑ Bluetooth-Stick
- ☑ braking resistors
- ☑ software for parameterization and operating
- ☑ license key for PLC function SPS

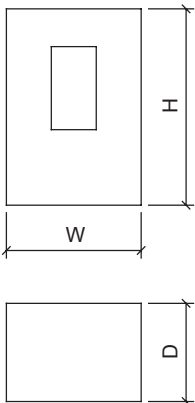
**Typical Application:**

- |                   |                       |
|-------------------|-----------------------|
| Pumps             | Wood working machines |
| Grinding machines | Conveying systems     |
| Ventilators       | Printing machinery    |
| Textile machines  | Packaging machines    |



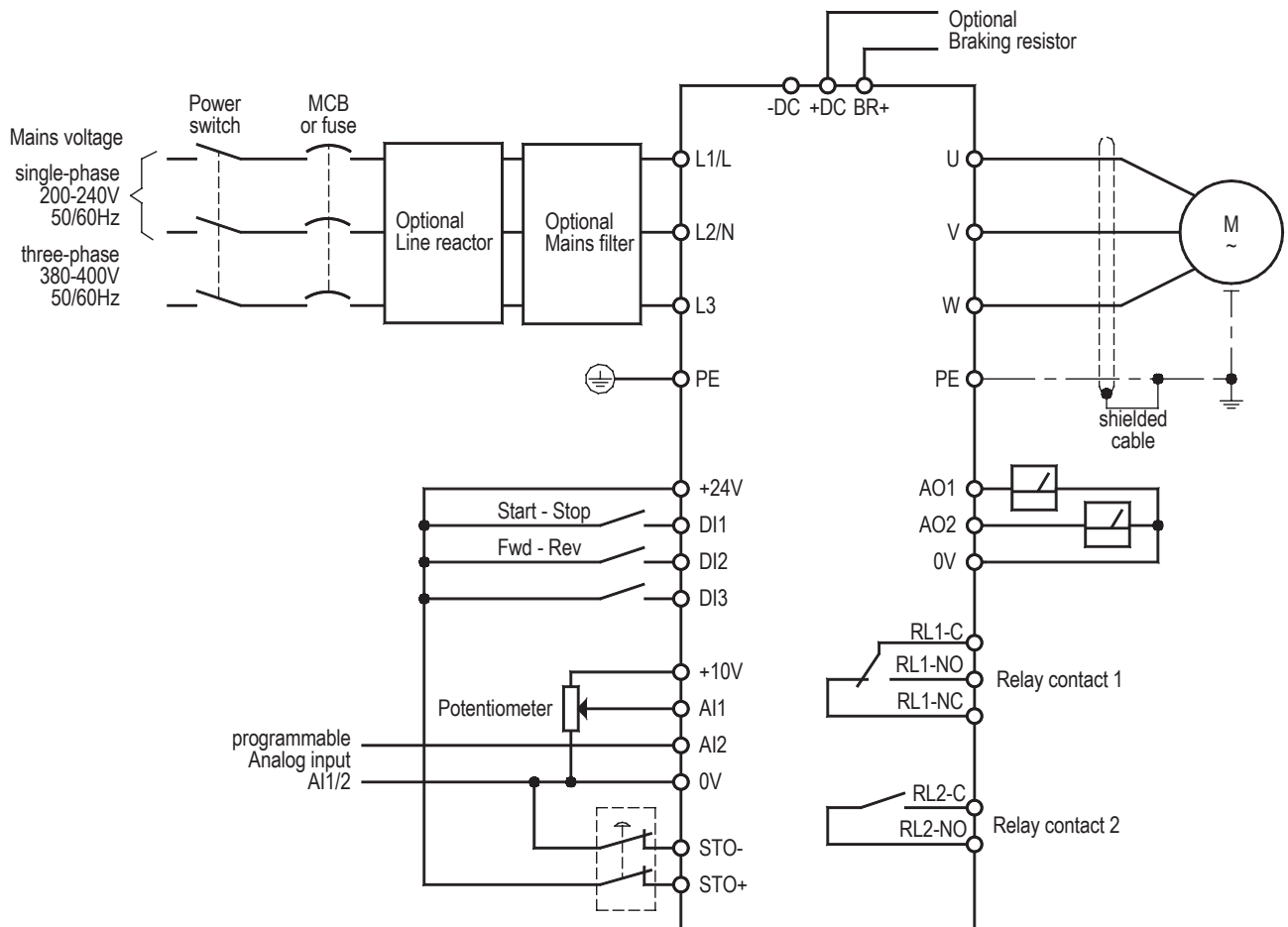
Technical Data	VD i ... /Pro			VD i ... /3Pro						
	075	150	220	075	150	220	400	550	750	1100
Motor shaft power / kW	0,75	1,5	2,2	0,75	1,5	2,2	4,0	5,5	7,5	11
Mains voltage according to DIN EN 50160 (IEC 38)	single-phase 200-240V ± 10% 48-62Hz			three-phase 380-480V ± 10%, 48-62Hz						
Output current / A	4,3	7	10,5	2,2	4,1	5,8	9,5	14	18	24
Peak current for 1min. / A	6,5	10,5	15,7	3,3	6,2	8,7	14,3	21	27	36
Control functions										
Frequency setting range	0 – 500Hz									
Torque boost	Boost (U/f)adjustable via parameter setting; Open Loop vector control									
Ramp-up and ramp-down time	0 ... 3000s									
Frequency setpoint	potentiometer >= 1kΩ, 0-10V, 4-20mA, keypad, fixes frequencies, motor potentiometer, modbus RTU, CANbus									
Ambient / Storage temperature	-10 ... 50°C, -40 ... 60°C									
Weight / kg	1,8	1,8	1,8	1,8	1,8	1,8	1,8	3,5	3,5	3,5
Order number 21100.	23075	23150	23220	40075	40150	40220	40004	40005	40007	40011
Recommended mains filter (class C1) Order number	27012.24016		27012.24030	27114.48006	27114.48016			27114.48030		

**Dimensions:**



	W [mm]	H [mm]	D [mm]
VD i 075/Pro	112	221	185
VD i 150/Pro	112	221	185
VD i 220/Pro	112	221	185
VD i 075/3Pro	112	221	185
VD i 150/3Pro	112	221	185
VD i 220/3Pro	112	221	185
VD i 400/3Pro	112	221	185
VD i 550/3Pro	131	261	205
VD i 750/3Pro	131	261	205
VD i 1100/3Pro	131	261	205

**Connection Diagram:**



**Options**

	Order number
VersiStick	29000.2I003
VersiPad (remote Keypad)	29000.2I004
VersiE/A PRO (additional I/O)	29000.2I101
VersiRel PRO (additional relay output)	29000.2I102
VersiModulTTL (TTL-Encoder Module)	29000.2I103
VersiModulE (Ethernet Module)	29000.2I104
VersiModulP (Profibus Module)	29000.2I105
VersiModulD (DeviceNet Module)	29000.2I106
VersiSplit (Data cable splitter)	29000.2I005
RJ45-cable 0,5m	29000.2I006
RJ45-cable 1m	29000.2I007
RJ45-Kabel 3m	29000.2I008
PC-Kit (RS485-USB converter)	29000.2I009
VersiPC (Windows-Program for VersiDrive / Download on Homepage) *	29000.2I016
License key for PLC	29000.2I107

\* For use with VersiPC a USB converter (PC-Kit) is needed.

If there is a need of additional accessories, like EMC filter, brake resistors,..., please contact your local sales partner.

**General Accessories**

	Order number
Potentiometer in VDE-design 10kΩ	41750.01103
Rotary button, 20mm, complete	65000.00002
Scale, 50mm x 50mm; 0 - 10	77200.00014



AC Drive VersiDrive i ... /3Pro/IP55 up to 160kW 4.29

**Features:**

- ☑ Degree of protection IP55
- ☑ V/F Voltage Vector
- ☑ Sensor-less Vector Speed am Torque Control (200% torque)
- ☑ Closed Loop Encoder control (Plug-In)
- ☑ Open and Closed Loop permanent magnet control
- ☑ PTC-input
- ☑ Max. rotating field frequency 500Hz
- ☑ STO meets IEC 61508 SIL2
- ☑ Integrated braking chopper
- ☑ Built-in DC reactor as standard
- ☑ Integrated mains filter
- ☑ Serial communication with Modbus RTU



AC Drive  
VD i 1100 ... 16000/3Pro/IP55



**Function:**

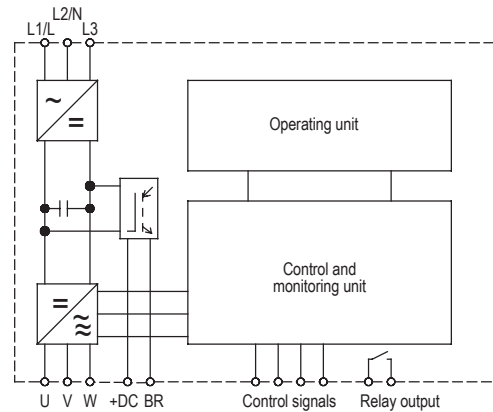
- ☑ Control and setpoint entry via terminals and operating unit
- ☑ PWM-clock frequency 4 - 32kHz
- ☑ Sensorlose Drehzahl- und Drehmomentregelung
- ☑ Potential-free control and signalling contacts
- ☑ 150% overload for 60s
- ☑ Integrated PI controller
- ☑ Detailed trouble check via parameter P0-13
- ☑ integrated PLC

**Typical Application:**

- |                   |                       |
|-------------------|-----------------------|
| Pumps             | Wood working machines |
| Grinding machines | Conveying systems     |
| Ventilators       | Printing machinery    |
| Textile machines  | Packaging machines    |

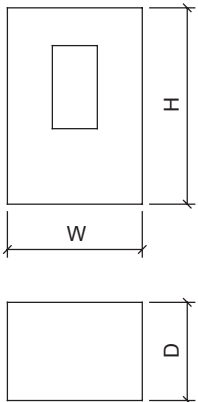
**Options:** (Please see accessories, Page 4.27)

- ☑ Remote control module
- ☑ Input and output module
- ☑ RJ45-cable and cable splitter
- ☑ Encoder-module
- ☑ Communication- and Bus-Plug-Ins
- ☑ Bluetooth-Stick
- ☑ Braking resistors
- ☑ Software for parameterization and operating
- ☑ License key for PLC function SPS



Technical Data	VD i ... /3Pro/IP55												
	1100	1500	1850	2200	3000	3700	4500	5500	7500	9000	11000	13200	16000
Motor shaft power / kW	11	15	18,5	22	30	37	45	55	75	90	110	132	160
Mains voltage according to DIN EN 50160 (IEC 38)	Three-phase 380-480V ± 10%, 48-62Hz												
Output current / A	25	30	39	46	61	72	90	110	150	180	202	240	300
Peak current for 1min. / A	38	45	59	69	91	108	135	165	225	270	303	360	450
Control functions													
Frequency setting range	0 – 500Hz												
Torque boost	Boost (U/f)adjustable via parameter setting; Open Loop vector control												
Ramp-up and ramp-down time	0 ... 3000s												
Frequency setpoint	potentiometer >= 1kΩ, 0-10V, 4-20mA, keypad, fixes frequencies, motor potentiometer, modbus RTU, CANbus												
Ambient / Storage temperature	-10 ... 50°C, -40 ... 60°C												
Weight / kg	11,5	11,5	11,5	11,5	22,5	22,5	50	50	50	50	80	80	80
Order number 21101.	40011	40015	40018	40022	40030	40037	40045	40055	40075	40090	40110	40132	40160

**Dimensions:**



	w [mm]	H [mm]	d [mm]
VD i 1100/3Pro/IP55	173	440	230
VD i 1500/3Pro/IP55	173	440	230
VD i 1850/3Pro/IP55	173	440	230
VD i 2200/3Pro/IP55	173	440	230
VD i 3000/3Pro/IP55	235	540	270
VD i 3700/3Pro/IP55	235	540	270
VD i 4500/3Pro/IP55	330	865	340
VD i 5500/3Pro/IP55	330	865	340
VD i 7500/3Pro/IP55	330	865	340
VD i 9000/3Pro/IP55	330	865	340
VD i 11000/3Pro/IP55	330	1280	370
VD i 13200/3Pro/IP55	330	1280	370
VD i 16000/3Pro/IP55	330	1280	370

**Connection Diagram:**

