



AC drive VersiDrive i ... /E2/3E2 up to 11kW 4.01

Features:

- ☑ small design
- ☑ easy programming and connection
- ☑ voltage vector control
- ☑ fixed frequencies adjustable
- ☑ PTC input
- ☑ max. rotating field frequency 500Hz
- ☑ DC brake
- ☑ Integrated braking chopper (from 2,2kW up)
- ☑ degree of protection IP20
- ☑ integrated mains filter (single-phase, class C1 up to 5m)
- ☑ integrated mains filter (three-phase, class C2 up to 5m)
- ☑ serial communication with Modbus RTU



AC drive
VD i 037 ... 220/E2
VD i 075 ... 1100/3E2
 

Function:

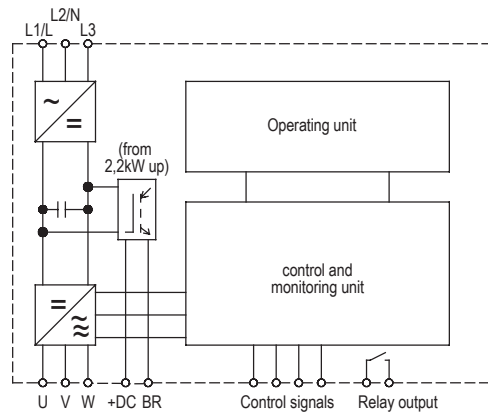
- ☑ control and setpoint entry via terminals and operating unit
- ☑ PWM clock frequency 4 - 32kHz
- ☑ DC-braking (duration)
- ☑ potential-free control and signalling contacts
- ☑ 150% overload for 60s
- ☑ detailed trouble check via parameter P00
- ☑ Integrated PI controller

Typical Applications:

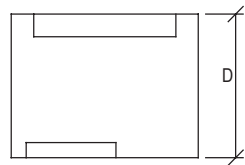
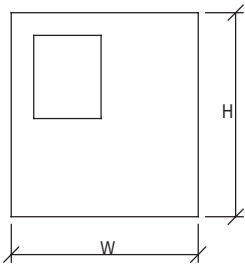
- pumps
- grinding machines
- ventilators
- textile machines
- wood working machines
- conveying systems
- printing machinery
- packaging machines

Options: (please see accessories)

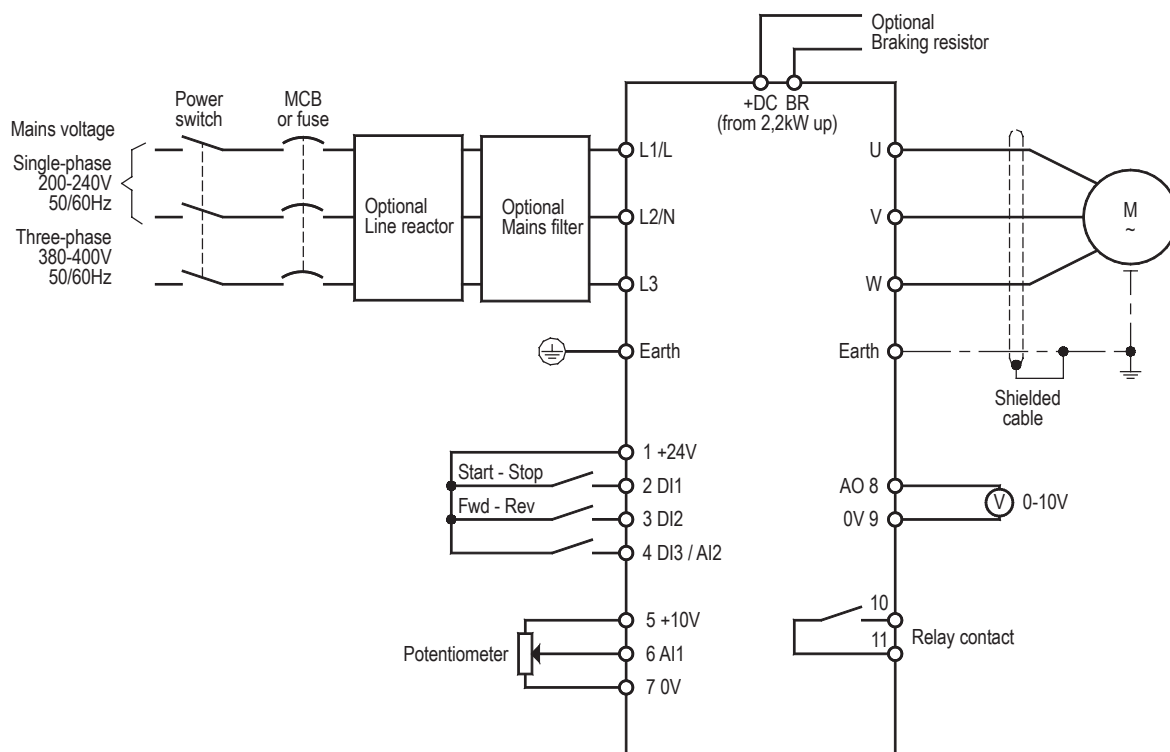
- ☑ memory stick with copying function
- ☑ remote control module
- ☑ input and output module
- ☑ RJ45-cable and cable splitter
- ☑ fieldbus gateways
- ☑ braking resistors
- ☑ software for parameterization and operating



Technical Data	VD i ... /E2				VD i ... /3E2							
	037	075	150	220	075	150	220	400	550	750	1100	
Motor shaft power / kW	0,37	0,75	1,5	2,2	0,75	1,5	2,2	4,0	5,5	7,5	11	
Mains voltage according to DIN EN 50160 (IEC 38)	single-phase 200-240V, 48-62Hz				three-phase 380-480V, 48-62Hz							
Output current / A	2,3	4,3	7	10,5	2,2	4,1	5,8	9,5	14	18	24	
Peak current for 1min. / A	3,5	6,5	10,5	15,7	3,3	6,2	8,7	14,3	21	27	36	
Control functions												
Frequency setting range	0 – 500Hz											
Torque boost	U/f-characteristic, adjustable via parameter setting											
Ramp-up and ramp-down time	0 ... 600s											
Frequency setpoint	potentiometer >= 1kW, 0-10V, 4-20mA, keypad, fixes frequencies, motor potentiometer, Modbus RTU											
Umgebungs- / Lagertemperatur	-10 ... 50°C, -40 ... 60°C											
Weight / kg	1,1	1,1	1,1	2,6	1,1	1,1	2,6	2,6	4	4	4	
Order number	21000. 23037	21000. 23075	21000. 23150	21000. 23220	21000. 40075	21000. 40150	21000. 40220	21000. 40004	21000. 40005	21000. 40007	21000. 40011	
Recommended mains filter (class C1)	27011.24016			27011. 24025	24025		27113.48016		27113.48030			
Order number												

Dimensions:

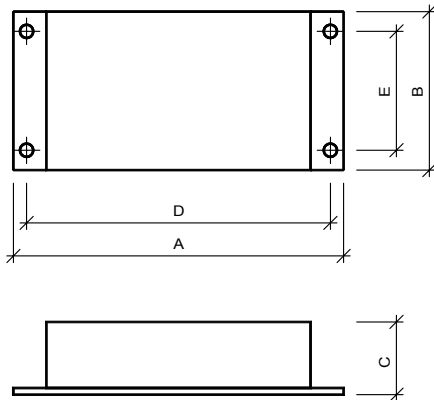
	W [mm]	H [mm]	D [mm]
VD i 037/E2	82	173	123
VD i 075/E2	82	173	123
VD i 150/E2	82	173	123
VD i 220/E2	109	221	150
VD i 075/3E2	82	173	123
VD i 150/3E2	82	173	123
VD i 220/3E2	109	221	150
VD i 400/3E2	109	221	150
VD i 550/3E2	131	261	175
VD i 750/3E2	131	261	175
VD i 1100/3E2	131	261	175

Connection Diagram:

Build-under Mains Filters

Technical Data	NF .../E2		NF ... /3E2		
	240/16	240/25	480/6	480/16	480/30
Area required mm x mm	200 x 90	300 x 114	200 x 90	300 x 114	300 x 187
Leakage current	<1,6mA	<1,6mA	<30mA	<30mA	<30mA
for Motor shaft power	-0,75kW	-2,2kW	0,75kW	-4kW	-11kW
Order number	27011.24016	27011.24025	27113.48006	27113.48016	27113.48030

Dimensions:



	Abmessungen (mm)				
	A	B	C	D	E
NF 240/16/E2	200	90	46	188	60
NF 240/25/E2	300	114	51	288	70
NF 480/6/3E2	200	90	46	188	60
NF 480/16/3E2	300	114	51	288	70
NF 480/30/3E2	300	187	51	287	142

Braking Resistors

Technical data	BWE2 ...	
	100/1	50/1
Dimensions in mm Length L	188	250
Width W	40	21
Height H	9	40
for Motor shaft power / kW	- 11kW	- 11kW
Resistance / Ω	100	50
Power dissipation / W	200	200
Order number	29000.2I001	29000.2I002

Options

	Order number
VersiStick	29000.2I003
VersiPad (remote control module)	29000.2I004
VersiSplit (data splitter)	29000.2I005
RJ45 cable 0,5m	29000.2I006
RJ45 cable 1m	29000.2I007
RJ45 cable 3m	29000.2I008
PC-Kit (RS485 USB-Converter)	29000.2I009
VersiRel 1 (1 additional relay output)	29000.2I010
VersiCont (control of digital inputs with 230VAC)	29000.2I012
VersiGateE (ext. Gateway for Ethernet)	29000.2I014
VersiGateP (ext. Gateway for Profibus DP)	29000.2I015
VersiPC (Windows programm for VersiDrive / available beginning of year 2011, download of Homepage) *	29000.2I016
VersiGateD (ext. Gateway for DeviceNet)	29000.2I017

* For the use of the operating-software a USB-Converter is required (PC-Kit).

General Accessories

	Order number
Potentiometer in VDE-design 10kΩ	41750.01103
Rotary button, 20mm, complete	65000.00002
Scale, 50mm x 50mm; 0 - 10	77200.00014

