

Features:

- ❑ for motors with external and permanent excitation
- ❑ armature-current form factor ≤ 1.02 due to high clock frequency
- ❑ no additional reactor required
- ❑ reduced motor noise and brush wear
- ❑ mounting on Euro-card with plug connector DIN 41612 or terminal connection
- ❑ high regulating dynamics
- ❑ short-circuit-proof
- ❑ degree of protection IP 00



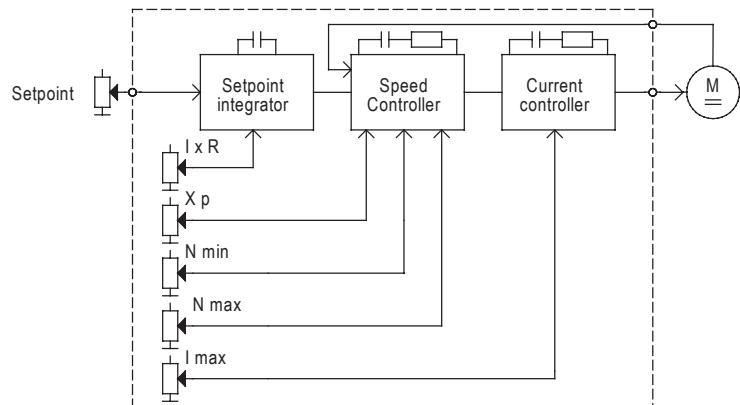
Transistor Controllers
SR 24/48 - 6 ... 12
CE

Function:

The transistor switching controllers of the SR 24/48... series are short-circuit-proof one-quadrant controllers that are used for the armature supply of low voltage d.c.- drives with permanent fields. They work as clocked controllers with a switching frequency of 16kHz.

Typical applications:

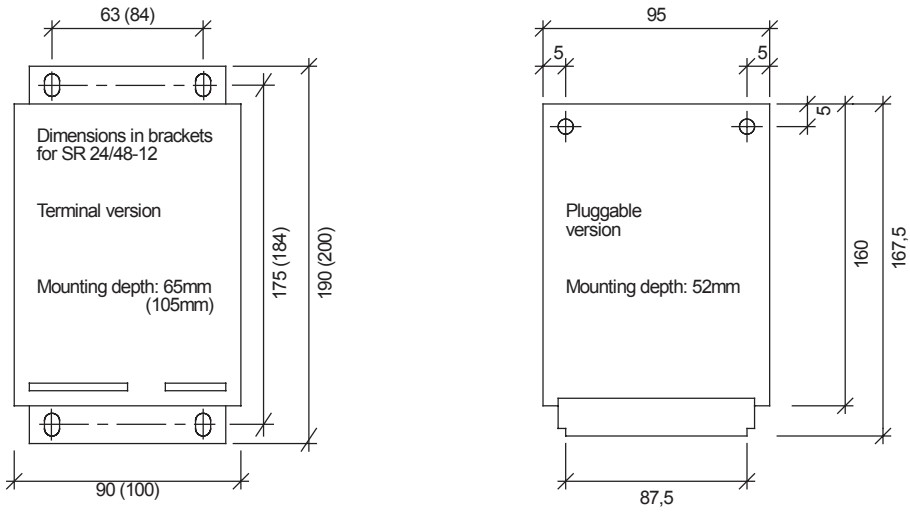
- conveying machinery
- printing machines
- pumps
- rotary-table drives
- welding wire feed mechanisms
- packaging machinery



Technical Data	SR 24-6	SR 24-12	SR 48-6	SR 48-12
Operating voltage	24-38VAC/30-50VDC		37-46VAC/52-60VDC	
max. Motor shaft power	120W	250W	250W	500W
Armature voltage	0 - 24V		0-48V	
max. Armature current	6A	12A	6A	12A
Control range	1:30 ± 3% 1:100 ± 1%		IxR compensation tachometer control	
Setpoint potentiometer	10kΩ			
Setpoint input	0 ... 10VDC			
Actual value input	factory-adapted to 24V		factory-adapted to 48V	
Connection / terminal version	control unit 8-pole 1,5mm ²		control unit 6-pole 1,5mm ²	
Connection / pluggable version	plug connector DIN 41612	-	plug connector DIN 41612	-
Ambient / Storage temperature	0°C ... 45°C / -25°C ... 75°C			
Cooling	convection			
Temperature-dependent power reduction	2% / °C from 40°C on max. 55°C			
Weight	0,6kg	1,2kg	0,6kg	1,2kg
Order number	22612.02006	22600.02012	22600.05006	22600.05012
Order number / pluggable version	22600.02006	-	22602.05006	-

General Accessories	Order number
Potentiometer in VDE-design 10kΩ	41750.01103
Socket connector DIN 41612 / 64-pole	53264.00009

Dimensions:



Connection Diagram:

