

Features:

- ❑ three-phase controlled soft starter
- ❑ easy mounting, also for retrofitting into existing systems
- ❑ terminal arrangement suitable for switchgear connection
- ❑ integrated bypass contactor
- ❑ no mains neutral conductor (N) required
- ❑ functional peak current reduction
- ❑ monitoring of heat sink temperature
- ❑ monitoring of motor temperature via motor thermistor
- ❑ potential-free control inputs and outputs
- ❑ special voltages up to 690V
- ❑ robust metal enclosure
- ❑ degree of protection IP 20



Soft Starters
DAS-T 7,5 ... 55
CE

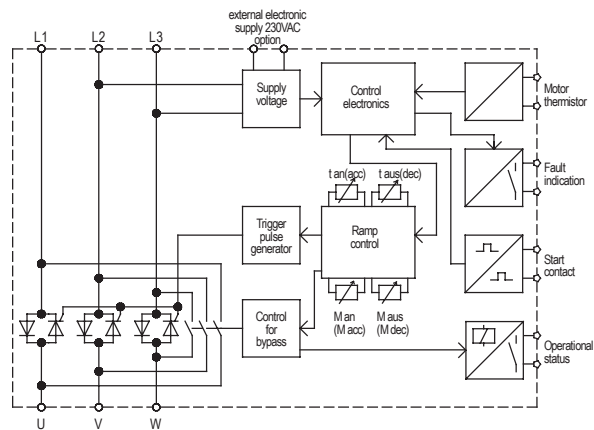
Function:

- ❑ soft acceleration and deceleration
- ❑ acceleration/deceleration via control contact or control voltage 10 ... 42VDC (selectable)
- ❑ 4 separately adjustable parameters starting torque, acceleration time, soft stop torque, deceleration time
- ❑ potential-free output for operational status* 250VAC/8A
- ❑ fault signalling contact (250VAC/8A)
- ❑ input for motor thermistor
- ❑ for special voltages higher than 500V an external electronic supply (230VAC) is necessary.

* closed when power semiconductors are bridged, or closed from start of acceleration to end of deceleration

Typical Applications:

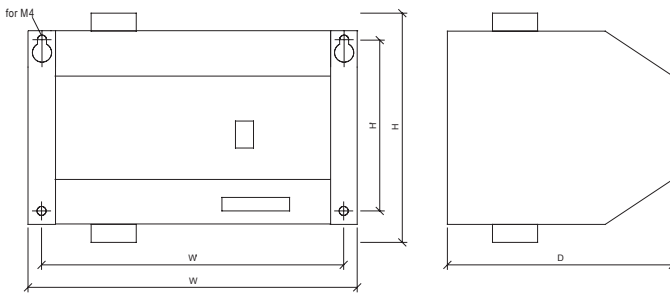
- pumps
- ventilators
- conveying machinery
- dryers, washing machines
- compressors
- cranes, trolleys



Technical Data	DAS-T						
	7,5	11	15	22	30	37	55
Mains / Motor voltage (Standard) according to DIN EN 50160 (IEC 38)	400V ±15% 50/60Hz (up to 690V upon request)						
Device rated current	17A	25A	32A	48A	63A	75A	105A
Motor rating	7,5kW	11kW	15kW	22kW	30kW	37kW	55kW
min. motor current	10% of the device rated current						
Starting torque	0 ... 80%						
Acceleration time	0,5 ... 25s						
Soft stop torque	20 ... 80%						
Deceleration time	0 ... 15s						
Reset time	200ms						
max. Switching cycle at 3x I _e and 10s t _{an}	120/h	100/h	80/h	60/h	40/h	40/h	20/h
Cross-sectional area of connecting cable	Control terminals			1,5mm ²			
	Power terminals			16mm ²		35mm ²	
I ² t-Value Power semiconductor in A ² s	3600	3600	8000	10500	18000	51200	125000
Ambient / Storage temperature	0°C ... 45°C / -25°C ... 75°C						
Weight / kg	3,8	3,8	4	4	7,8	8	8,2
Order number	20900.40007	20900.40011	20900.40015	20900.40022	20900.40030	20900.40037	20900.40055

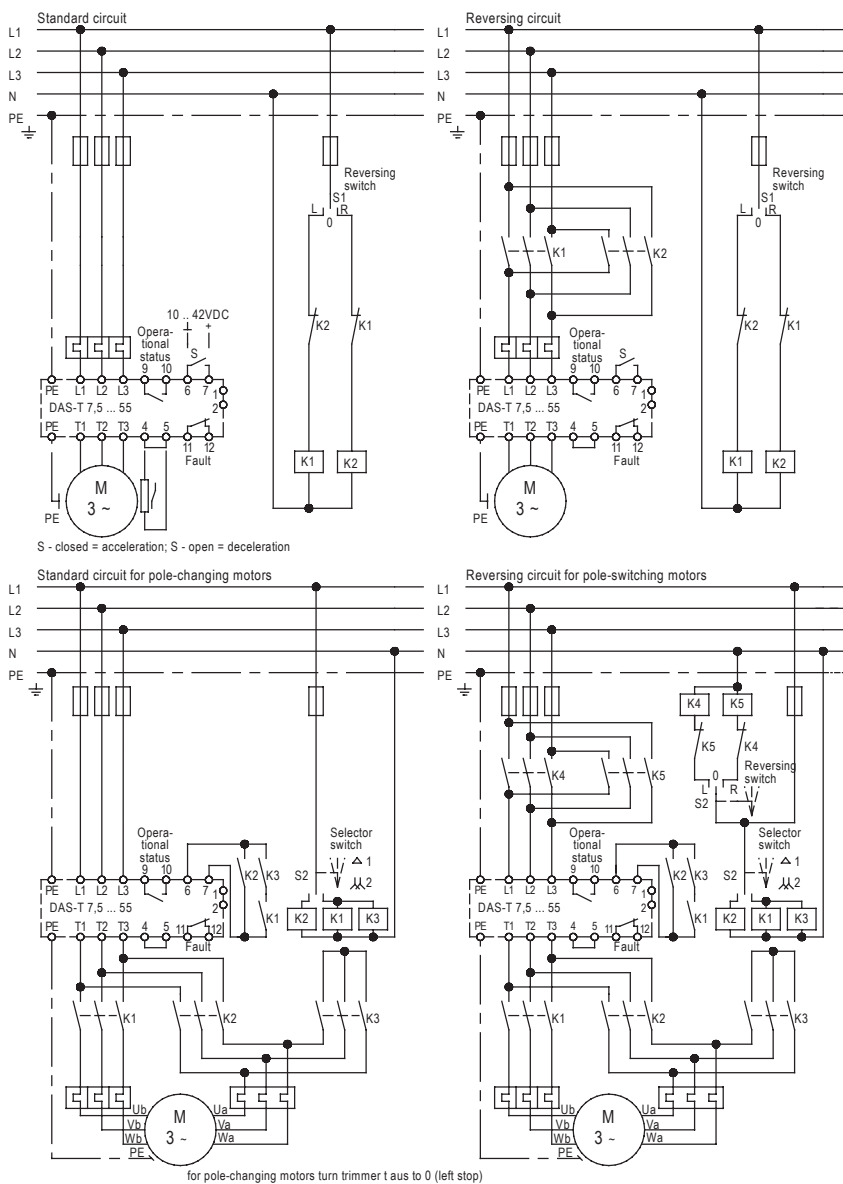
Please observe supplementary sheet with dimensioning rules.

Dimensions:



	W [mm]	W' [mm]	H [mm]	H' [mm]	D [mm]
DAS-T 7,5	235	218	245	170	140
DAS-T 11	235	218	245	170	140
DAS-T 15	235	218	245	170	140
DAS-T 22	235	218	245	170	140
DAS-T 30	335	318	245	170	170
DAS-T 37	335	318	245 <td 170	170	
DAS-T 55	335	318	245	170	170

Connection Diagrams:



EMC
 The limit values for emitted interference according to the applicable device standards do not rule out the possibility that receivers and susceptible electronic devices within a radius of 10m are subjected to interference. If such interference, that is definitely attributable to the operation of the soft starters "DAS", occurs, the emitted interference can be reduced by taking appropriate measures. Such measures are, e.g.:
 To connect reactors (3mH) or a suitable mains filter in series before the soft starter, or to connect X-capacitors (0.15µF) in parallel to the supply voltage terminals.

for pole-changing motors turn trimmer t aus to 0 (left stop)